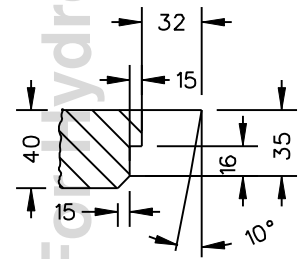
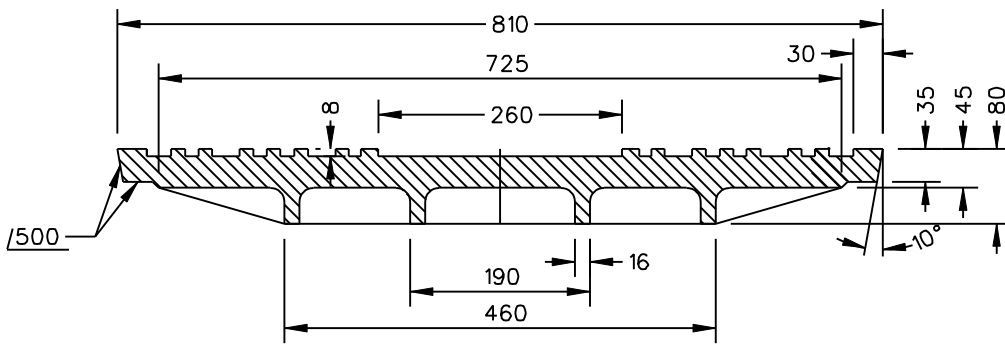
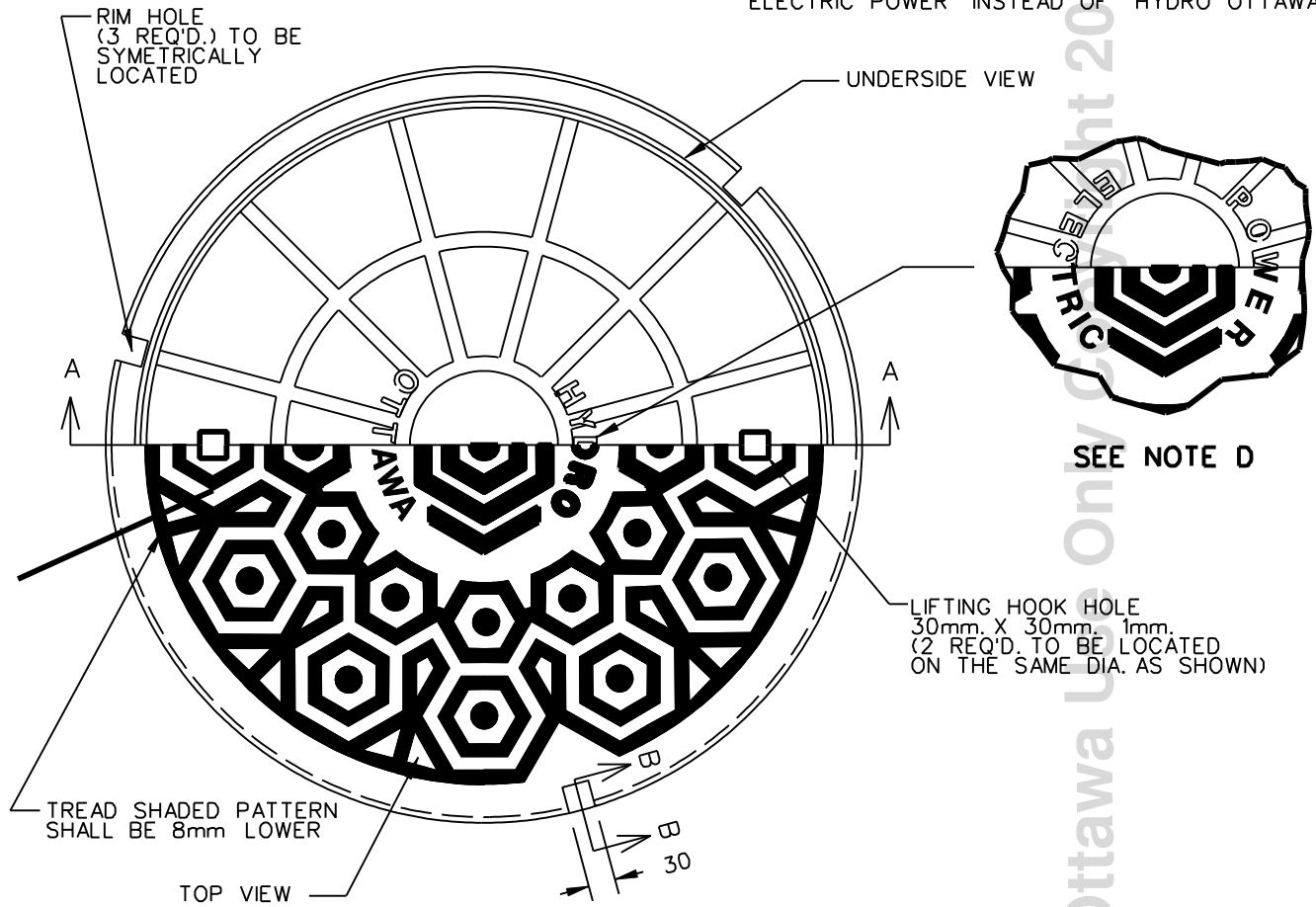


NOTE:

- A. ALL DIMENSIONS IN MILLIMETERS
- B. BEARING : SURFACE TO BE MACHINED.
- C. PERFORMANCE IN ACCORDANCE WITH CSA STANDARD C83-96 ITEM C83.43-62 MANHOLE FRAME AND COVER.
- D. THIRD PARTY OWNED COVER CASTING TO READ "ELECTRIC POWER" INSTEAD OF "HYDRO OTTAWA"



15/06/2011 10:54:24 AM

REVISIONS		PREP	CHKD	APPD
REV:	DATE:	CP	PL	CSM
3	2008-11-11			
CHANGE: NOTE 'D' ADDED				
4	2010-05-27	FB	RW	CSM
CHANGE: TITLE CHANGE				
5	2011-06-14	GM	PL	CSM
CHANGE: ADD DETAIL TO SUPPORT NOTE 'D'				

HydroOttawa
 WWW.HYDRO-OTTAWA.COM

PREP: G. MOLNAR
CHKD: C. PROULX
APPD: C. MALONE P.Eng.
DATE: 2002-04-04
SCALE: N.T.S. @ ANSIA

TITLE	
ENGINEERING SPECIFICATION	
MANHOLE HARDWARE COVER	
CONSTRUCTION DETAIL	
NO:	<div style="font-size: 24pt; font-weight: bold;">UCS0021</div>
	1 REV: OF 5