

**NOTES:**

- A. ALL DIMENSIONS IN MILLIMETERS UNLESS OTHERWISE SPECIFIED.
- B. APPLICABLE FOR 100mm DIAMETER DUCTS.
- C. DUCT ROLL NOT TO EXCEED ONE RADIAL POSITION OVER THE MINIMUM TRANSPOSITION LENGTH.

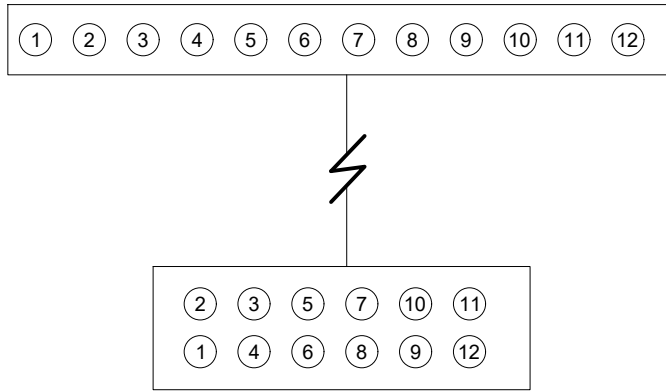


FIG. 1

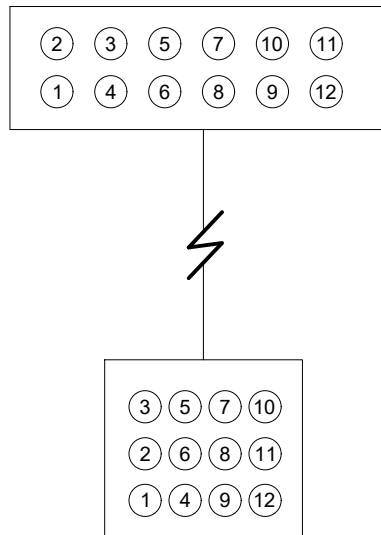



FIG. 2

TYPICAL MINIMUM TRANSPOSITION LENGTH FOR CHANGING FORMATION OF 100mm DIAMETER DUCTS:

FIG. 1 - 7500mm

FIG. 2 - 6000mm

For Hydro Ottawa Use Only Copyright 2019

REVISIONS		PREP	CHKD	APPD	TITLE		
REV: DATE:					<b>ENGINEERING SPECIFICATION</b> <b>DUCT TRANSPOSITION FROM</b> <b>1H X 12W TO 3H X 4W</b> <b>CONSTRUCTION DETAIL</b>		
CHANGE:				 www.hydroottawa.com			
				PREP: G. MOLNAR CHKD: M. WYNDHAM			
REV: DATE:					APPD: B. HAZLETT P.Eng DATE: 2019-07-09 SCALE: N.T.S. @ ANSI A		
CHANGE:					NO: <b>UDS0038</b>	1 OF 1 REV: 0	