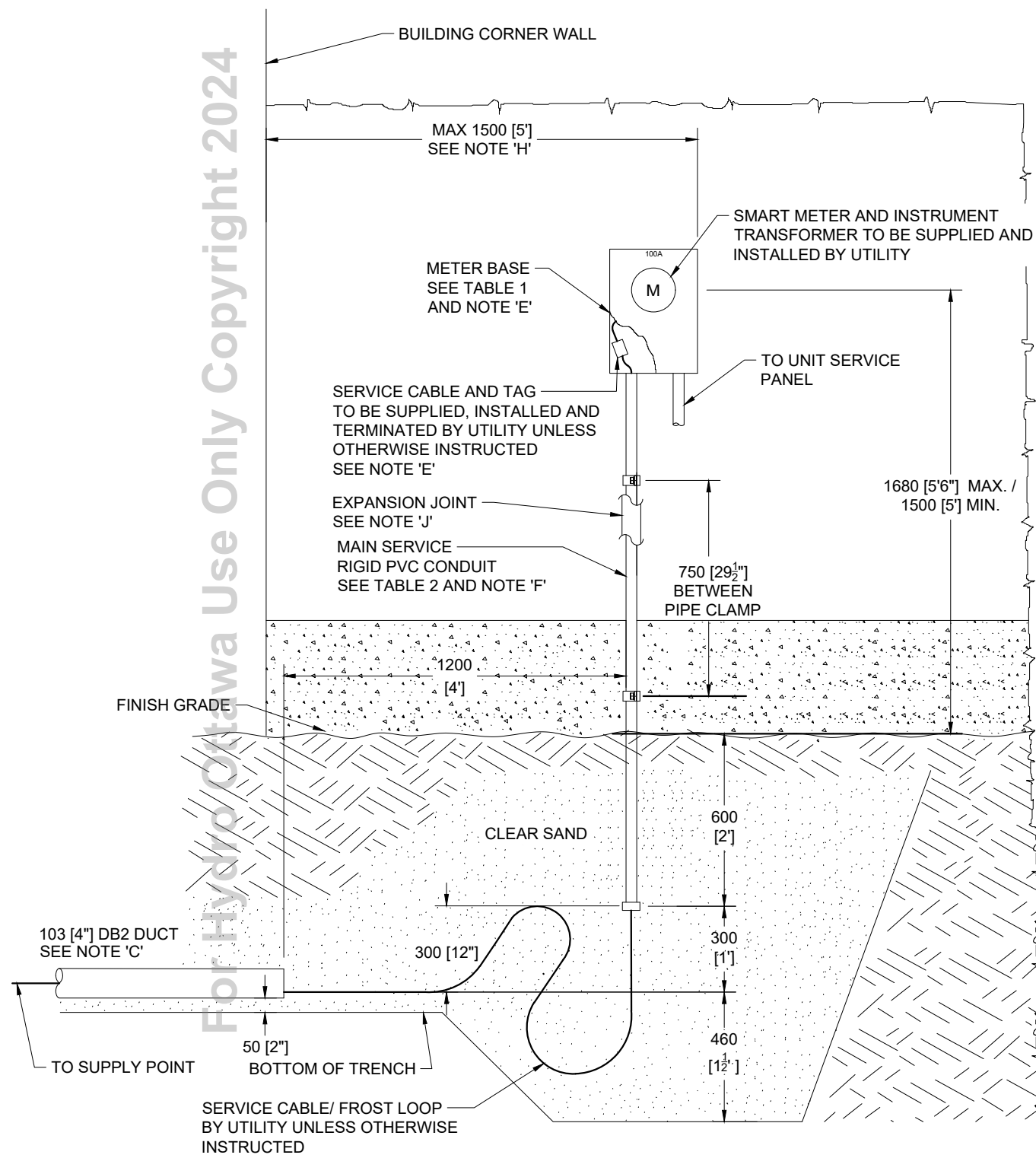


For Hydro Ottawa Use Only Copyright 2024



BUILDING SIDE VIEW
SEE NOTES 'B,G'

- NOTES:**
1. TERMINATE SERVICE CONDUCTORS FROM UNIT SERVICE PANEL AT TUNNEL CONNECTORS PROVIDED IN BOTTOM SECTION OF METERING ENCLOSURE.

FIG. 1 100A OR 200A, 4-JAW METER SOCKET

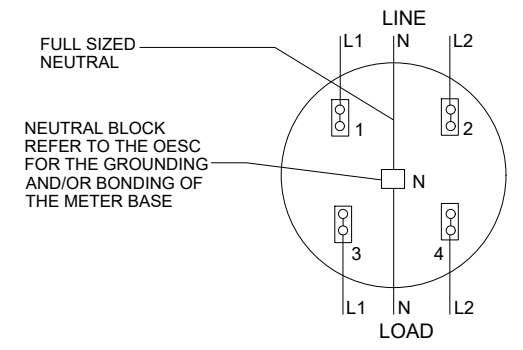


FIG. 2 400A, TRANSFORMER RATED METER BASE

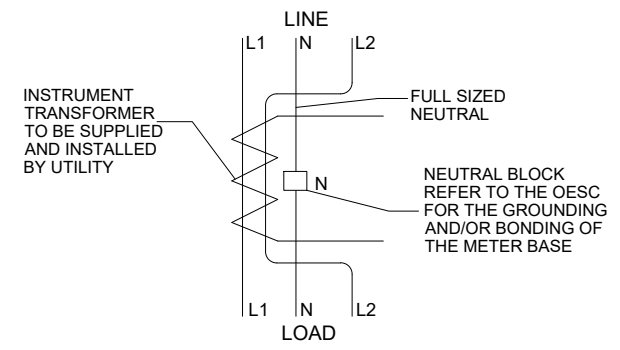


TABLE 1.

MAIN SERVICE AMPACITY	HOL APPROVED METER BASE	WIRING DETAILS
100/200A	GCS0008 TABLE 1A	See Fig. 1
400A	GCS0008 TABLE 3	See Fig. 2 & Note 1.

TABLE 2.

SIZE	MIN. CONDUIT DIAMETER
4/0 AWG or Less	[2"]
250MCM to 350MCM	[2-1/2"]
500MCM	[3"]
750MCM	[3-1/2"]

NOTES:

- ALL DIMENSIONS ARE IN MILLIMETRES, UNLESS OTHERWISE SPECIFIED.
- METER SOCKET BASE AND SERVICE TRENCH LOCATION SHALL BE APPROVED BY HOL PRIOR TO CONSTRUCTION.
- INSTALL UNDERGROUND DIRECT BURIED DUCT TO TERMINATE NEAR THE MAIN SERVICE CONDUIT AS SHOWN.
- SERVICE INSTALLATION TO BE INSPECTED AND APPROVED BY ESA PRIOR TO SCHEDULING THE SERVICE CABLE INSTALLATION WITH UTILITY.
- REFER TO GCS0012 FOR TAGGING OF RESIDENTIAL METER BASE.
- REFER TO OESC FOR INSTALLATION OF PVC EXTENSION COUPLINGS.
- REFER TO MCS0105 & MCS0106 FOR INSTALLATION AND MINIMUM CLEARANCE REQUIREMENTS.
- REVENUE METERING TO BE LOCATED ON THE SIDE WALL OF THE RESIDENCE FROM THE FRONT CORNER CLOSEST TO THE POINT OF SUPPLY.
- REFER TO ECG0003 FOR RESIDENTIAL SECONDARY SERVICE TYPICAL OWNERSHIP DEMARCATATIONS.
- REQUIRED AS PER OESC SUBRULES 12-012(12) AND 12-012(13), CSA C22.3 No. 7:20 2022 UPDATE, AND ESA DISTRIBUTOR FLASH NOTICE DFN-02-23-v1.

REVISIONS				PREP	CHKD	APPD	 WWW.HYDROOTTAWA.COM	TITLE		
REV: 8	DATE: 2022-06-21	CHANGE: HARMONIZE WITH MCS0021	LS	PL	RH			ENGINEERING SPECIFICATION RES UG 120V/240V, 1PH, 3W ≤ 400A SECONDARY SERVICE CONSTRUCTION DETAIL	NO:	ECS0002
REV: 9	DATE: 2023-06-22	CHANGE: ADDED FIG. 2 AND REVISED NOTE 'I'; ADDED EXPANSION JOINT, NOTE 'J'	LS	PL	RH	PREP: G.GOFORTH CHKD: C.PROULX				
REV: 10	DATE: 2024-01-09	CHANGE: UPDATED TABLE 1 & TABLE 2	LS	PW	MW	APPD: C.MALONE, P.ENG DATE: 2002-01-29 SCALE: N.T.S. @ ANSI B				
								1	REV: 10	

LAST SAVED: 2024-01-10 6:47 AM