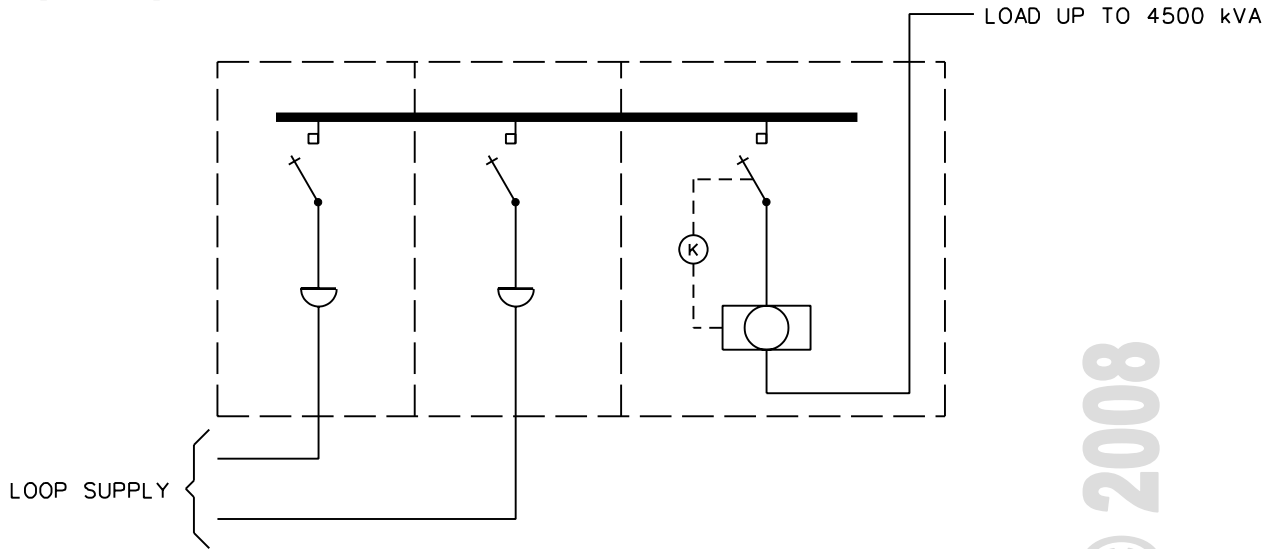
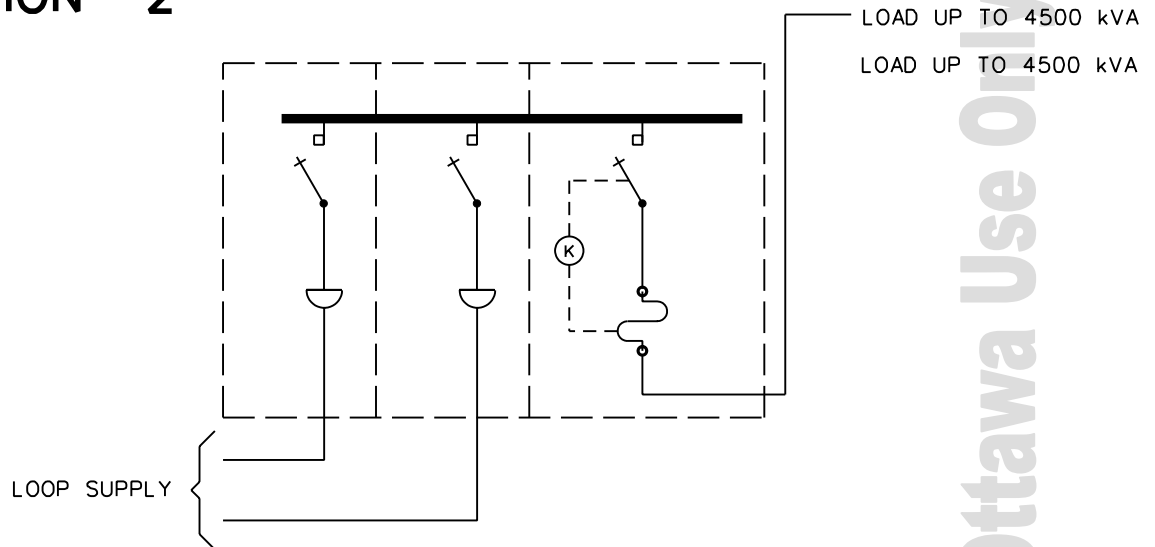


OPTION #1



OPTION #2



NOTE

- A. SEE HYDRO OTTAWA PRIMARY VOLTAGE SERVICE SPECIFICATION GCS0002.
- B. IF THE CUSTOMER'S LOAD IS LESS THAN 7000kVA, OTHER CUSTOMERS MAY BE SUPPLIED FROM THE SAME LOOP
- C. LOADS OVER 7000 kVA MAY REQUIRE THE SWITCHING ARRANGEMENT SHOWN ON DRAWING ECS0004.
- D. A CUSTOMER OWNED AND OPERATED ISOLATION SWITCH COMPLETE WITH PROTECTION MAY BE REQUIRED FOR HYDRO OTTAWA OWNED AND OPERATED LOOP FEEDERS IN CUSTOMER OWNED SWITCHBOARD.

Hydro Ottawa Use Only © 2008

SDATES

SDATES

SDATES

REVISIONS		PREP	CHKD	APPD	TITLE				
REV: 1	DATE: YYYY-MM-DD	CP	CP	CSM	ENGINEERING SPECIFICATION SWITCHING ARRANGEMENT 13.2kV LOOP SYSTEM (300kVA TO 7000kVA) SINGLE LINE				
CHANGE: NOTES LAYOUT									
REV: 2	DATE: 2008-03-17	GH	CP	CSM					
CHANGE: NOTE D ADDED					ECS0003				
REV:	DATE: YYYY-MM-DD						NO:	1	REV:
CHANGE:								OF	2
								1	