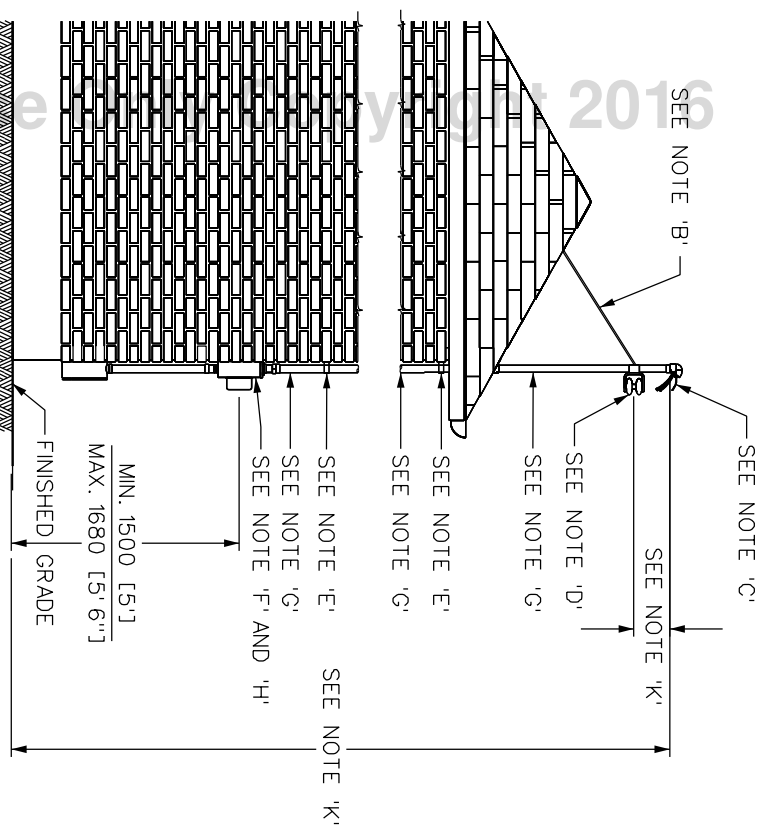
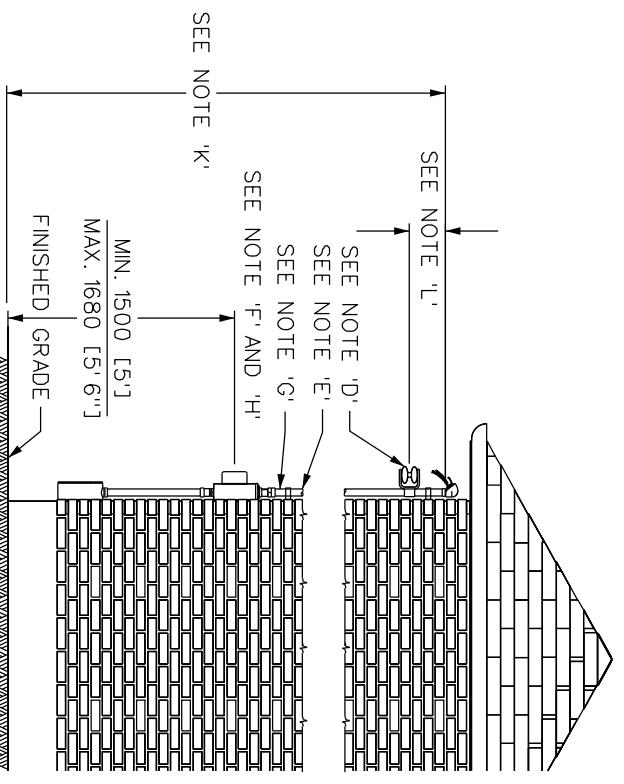


**NOTES:**

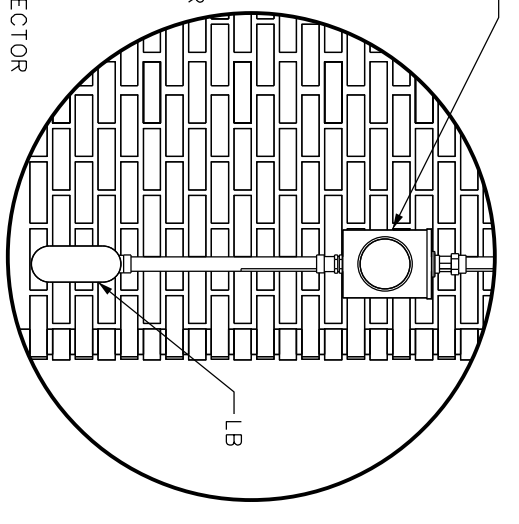
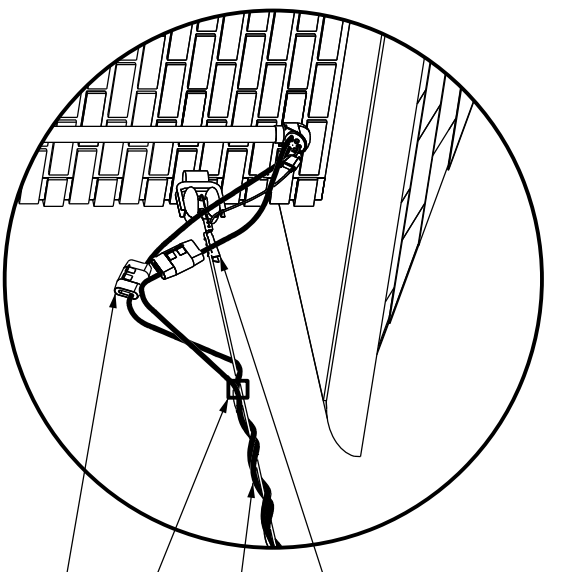
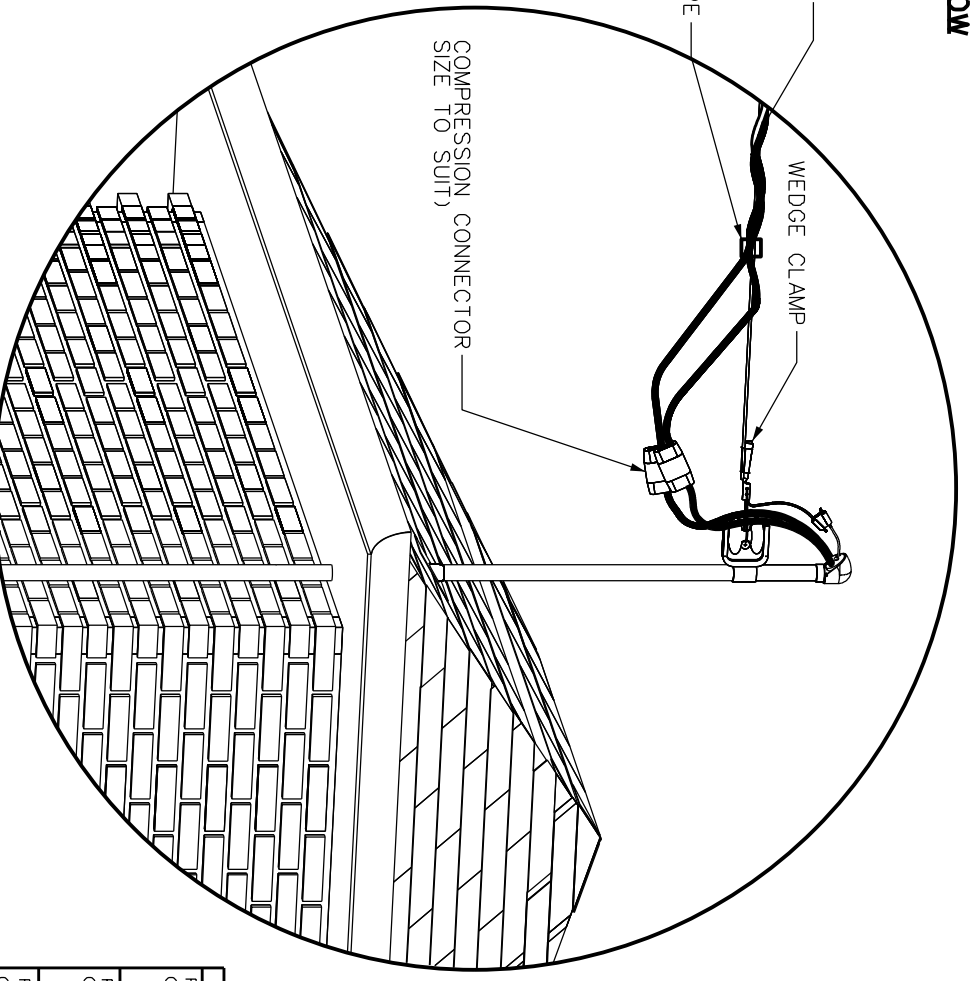
- A. ALL DIMENSIONS ARE IN MILLIMETERS, UNLESS OTHERWISE SPECIFIED.
- B. GUYING, IF REQUIRED BY ESA OR OESC.
- C. MINIMUM LENGTH OF RW90 CONDUCTOR, LEFT AT SERVICE HEAD SHALL BE AT LEAST 70 [30"].
- D. SECONDARY SPOOL AND RACK SUPPLIED AND INSTALLED BY CUSTOMER.
- E. PVC AND EMT CLAMPS AND EXPANSION COUPLES AS PER ESA AND OESC.
- F. 4-JAW KING-SIZED METERBASE REFER TO HYDRO OTTAWA SPECIFICATIONS GCS0008, TABLE 1, MCS0008 FOR MORE INFORMATION.
- G. SERVICE MAST INSTALLATION IN ACCORDANCE WITH ESA AND OESC.
- H. MINIMUM OF 1000 [3' 4"] OF CLEARANCE BETWEEN METER SOCKET AND PROPERTY LINE REQUIRED.
- I. CONTACT HYDRO OTTAWA PRIOR TO INSTALLATION TO OBTAIN SERVICE LAYOUT.
- J. INSTALLATION SUBJECT TO ESA REQUIREMENTS AND INSPECTION.
- K. MINIMUM AND MAXIMUM CLEARANCES AS PER ESA AND OESC.



**RESIDENTIAL BUNGALOW**



**RESIDENTIAL TWO-STOREY**



REVISIONS		PREP	CHKD	APPD
REV: CHANGE:	DATE: YYYY-MM-DD			
REV: CHANGE:	DATE: YYYY-MM-DD			
REV: CHANGE:	DATE: YYYY-MM-DD			

<p>Hydro Ottawa www.hydroottawa.com</p>	TITLE
<p>PREP: G. MOLNAR CHKD: S. McNALLY APPD: C. MALONE</p>	<p>ENGINEERING SPECIFICATION RES 120V/240V, 1PH, 3W, ≤ 200A OVERHEAD SERVICE ENTRANCE</p>
<p>RE: P. Eng. DATE: 2016-01-13 SCALE: N.T.S. @ ANSIB</p>	<p>CONSTRUCTION DETAIL</p>
<p><b>ECS0040</b></p>	<p>REV: 1 OF 1 0</p>

For Hydro Ottawa Use Only - Not to be used after 2016