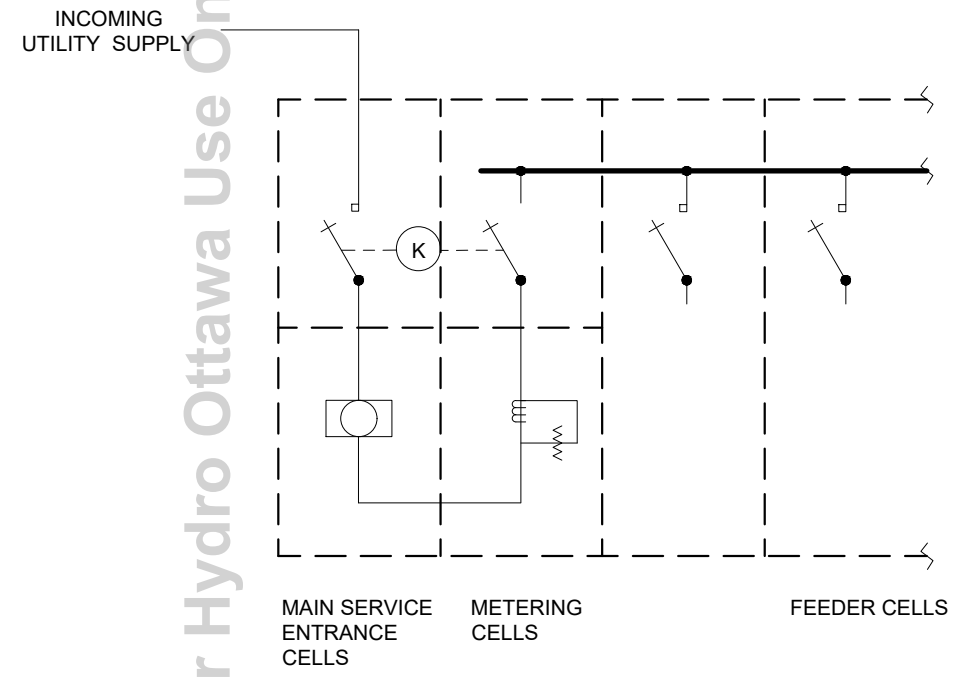


For Hydro Ottawa Use Only Copyright 2020

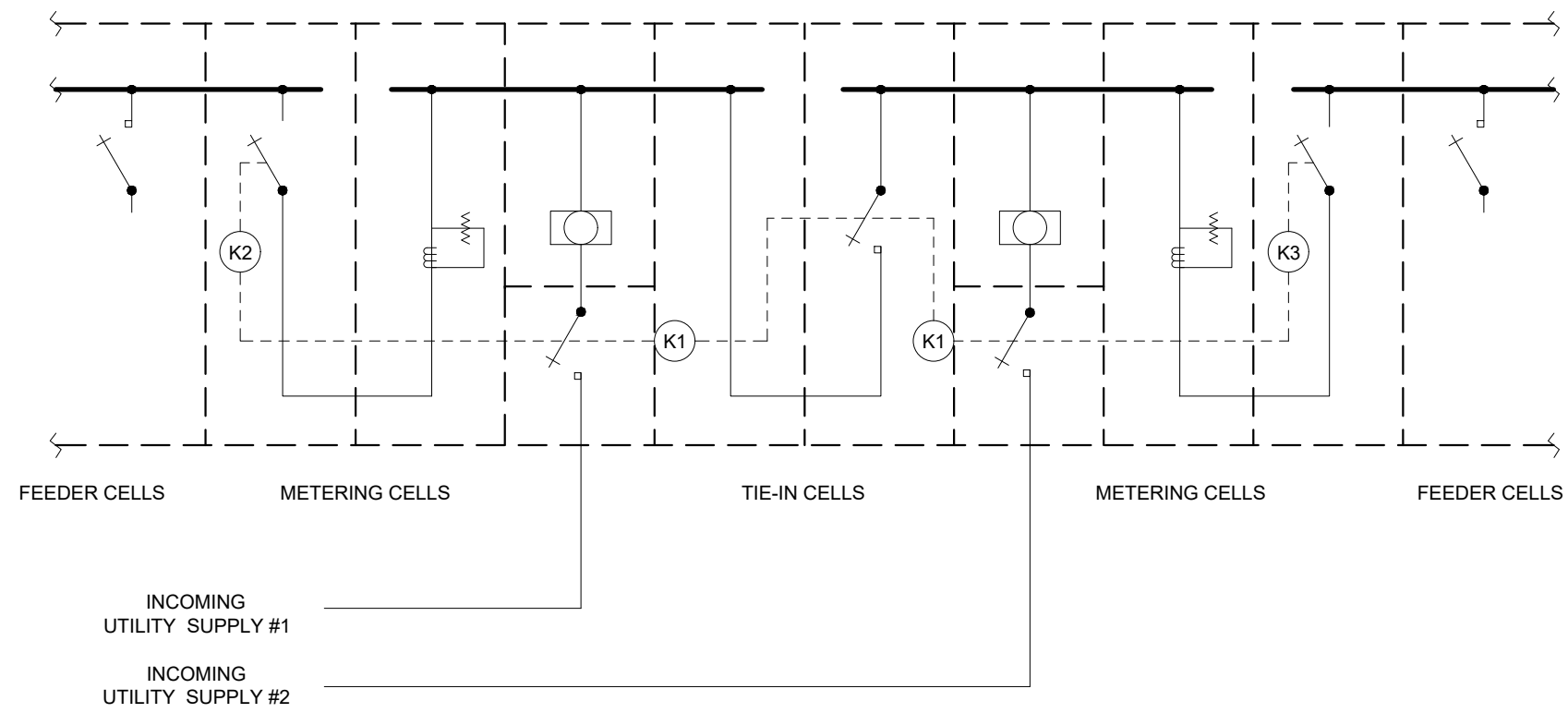
NOTES:

- A. CONTACT HYDRO OTTAWA WITH YOUR PROJECT LOADING REQUIREMENTS AND PROJECT LOCATION TO DEFINE THE PRIMARY SERVICE OPTION(S) THAT BEST SUIT YOUR PROJECT NEEDS.
- B. METER POINT MAY BE USED FOR REVENUE OR CHECK METERING DEPENDING ON THE METERING DEPLOYMENT STRATEGY.
- C. ISOLATION DISCONNECT LOCATED ON THE LOAD SIDE OF THE METERING CELL MAY BE OMITTED IF THE GUARANTEE OF ISOLATION FOR WORK TO BE DONE IN THE METERING CELLS IS GIVEN BY A HIGH VOLTAGE CONTRACTOR OTHER THAN HYDRO OTTAWA.
- D. SWITCHGEAR LAYOUT MAY NEED ADJUSTMENT TO SUIT INCOMING UTILITY SUPPLY AND/OR MANUFACTURER DESIGN.
- E. KEY INTERLOCK SCHEME(S) SHALL BE REVIEWED AND APPROVED BY HYDRO OTTAWA PRIOR TO ENERGIZATION.

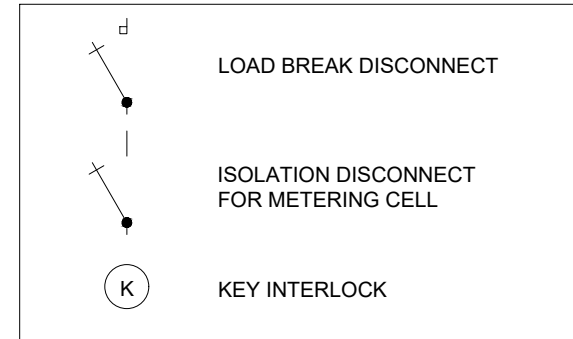
OPTION 1: TYPICAL SWITCHGEAR LAYOUT WITH ONE INCOMING UTILITY SUPPLY



OPTION 2: TYPICAL SWITCHGEAR LAYOUT WITH TWO INCOMING UTILITY SUPPLY



LEGEND



REVISIONS				PREP	CHKD	APPD	TITLE	
REV:	DATE:						ENGINEERING SPECIFICATION UNDERGROUND PRIMARY SERVICE TYPICAL CUSTOMER OWNED SWITCHGEAR LAYOUT CONSTRUCTION DETAIL	
CHANGE:								
REV:	DATE:							
CHANGE:							NO: ECS0043	
							PREP: E. VEH CHKD: P. LEMAY APPD: M. WYNDHAM P. Eng DATE: 2020-11-23 SCALE: N.T.S. @ ANSI B	
							REV: 0 OF 1	

LAST SAVED: 2020-11-23 12:05 PM