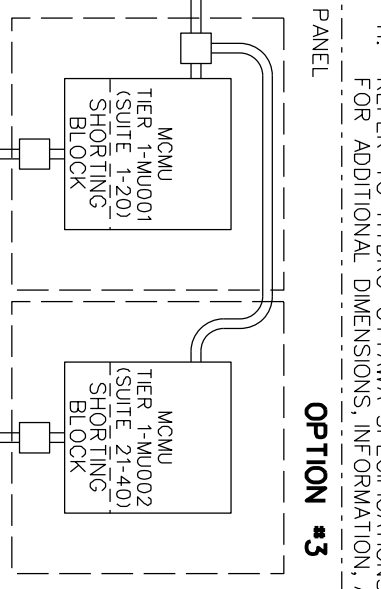
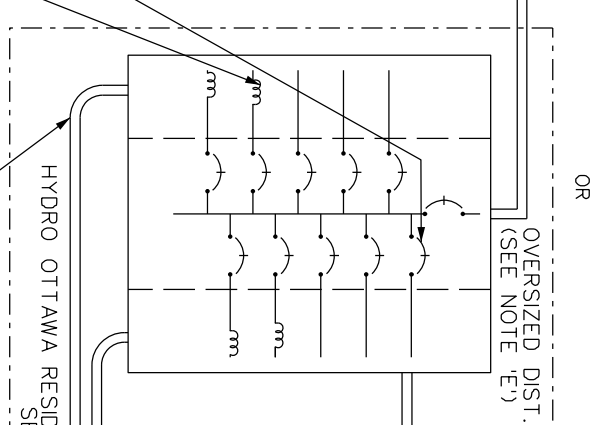
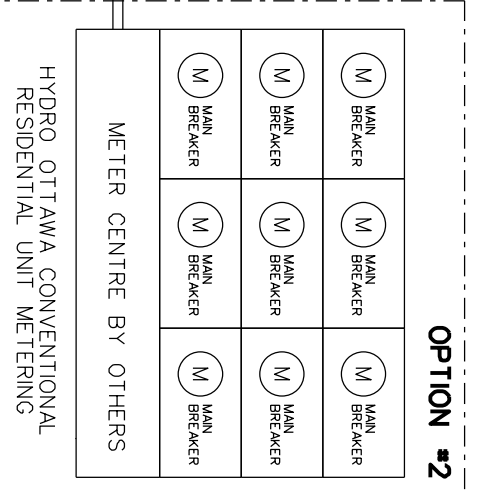
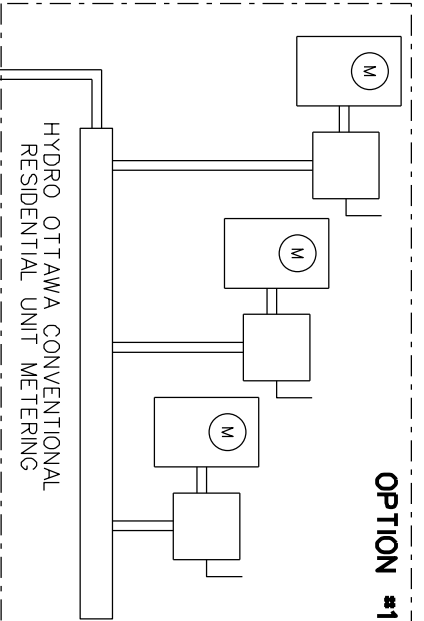
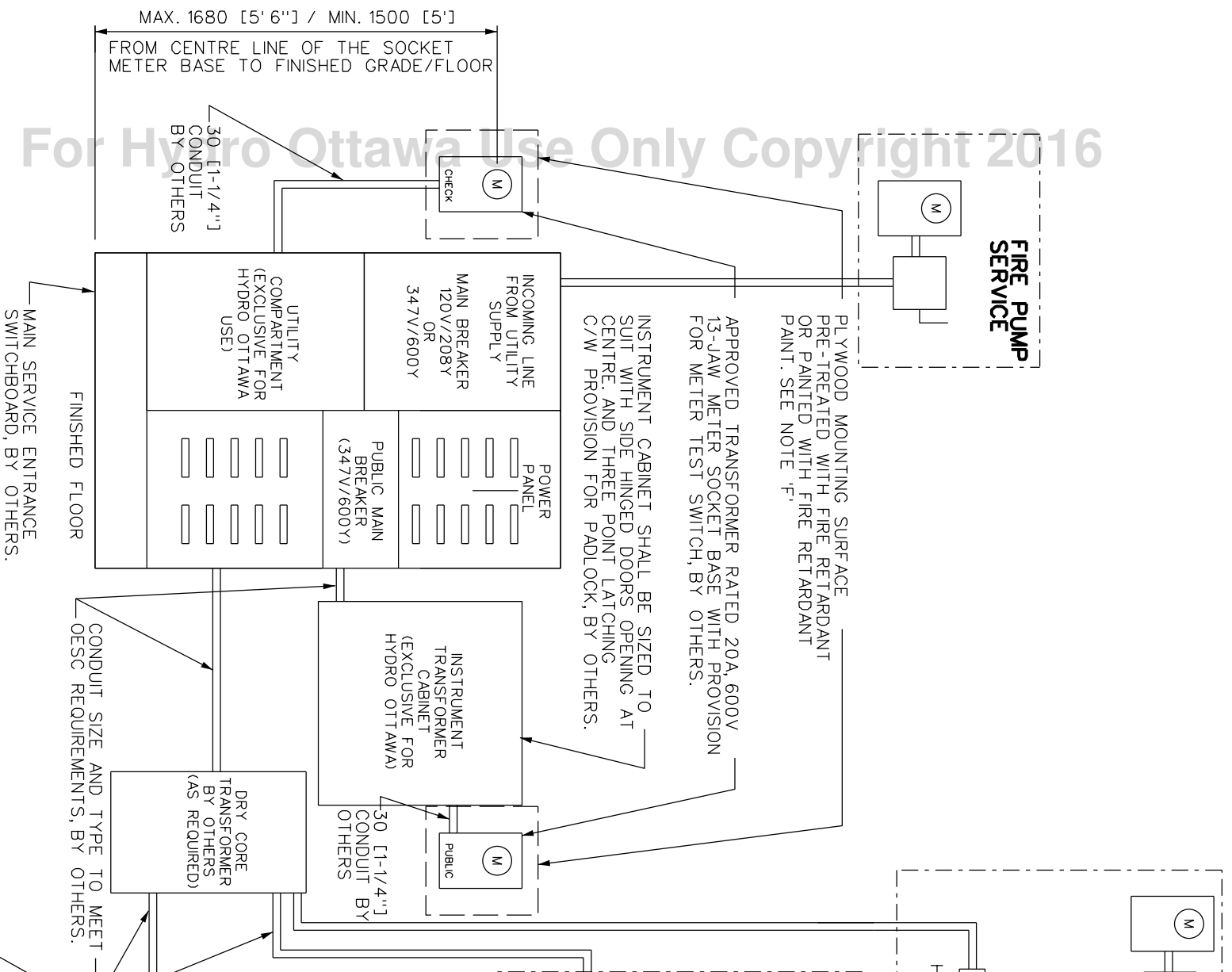


For Hydro Ottawa Use Only Copyright 2016



NOTES:

- A. ALL DIMENSIONS ARE IN MILLIMETERS, UNLESS OTHERWISE SPECIFIED.
- B. INSTALLATION SHALL MEET OESC AND HYDRO OTTAWA REQUIREMENTS.
- C. EACH METER POSITION WITHIN THE METER CENTRE SHALL BE "COLD METERED", EQUIPPED, AND PROTECTED BY A RATED CIRCUIT BREAKER HAVING ADEQUATE SHORT CIRCUIT INTERRUPTION CAPACITY ON THE LINE SIDE OF THE METER POSITION, FOR EACH DISTINCT METER SOCKET.
- D. REFER TO HYDRO OTTAWA REVENUE METERING SPECIFICATION GCS0008 AND DRAWING MCS0020 FOR SINGLE LINE DIAGRAM.
- E. THE DISTRIBUTION PANEL SHALL BE RATED FOR SERVICE ENTRANCE C/W LOCKABLE MAIN SWITCH. ALTERNATIVELY A SEPARATE LOCKABLE DISCONNECT SWITCH IMMEDIATELY BEFORE AND WITHIN THE SAME ELECTRICAL ROOM AS THE OVERSIZED DISTRIBUTION PANEL EQUIPPED WITH MCMS EQUIPMENT, WILL ALSO BE ACCEPTABLE. SUB-SERVICE BREAKERS SHALL BE LOCKABLE, WITH A STANDARD HYDRO OTTAWA PAD-LOCK, IN THE 'OPEN' POSITION AS PER HYDRO OTTAWA SPECIFICATION GCS0008.
- F. CUSTOMER SHALL SUPPLY AND INSTALL APPROVED PLYWOOD PRE-TREATED WITH FIRE RETARDANT OR PAINTED WITH GRAY FIRE RETARDANT PAINT. PLYWOOD FOR EXCLUSIVE USE OF HYDRO OTTAWA METERING AND HAVE MINIMUM DIMENSIONS AS FOLLOWS:
 - i. 120V/240V, 1-PHASE, 225A TO 400A: INDIVIDUAL SERVICES PLYWOOD SHALL HAVE MINIMUM DIMENSIONS OF 900 X 900 X 16 [36" X 36" X 5/8"] OR 900 X 900 X 19 [36" X 36" X 3/4"] FOR THE 5-JAW TRANSFORMER RATED COMBINATION METER BASE ENCLOSURE.
 - ii. 120V/208Y (<-800A) AND 347V/600Y (<-200A), 3-PHASE: STD COMMERCIAL SERVICES PLYWOOD SHALL HAVE MINIMUM DIMENSIONS OF 900 X 900 X 16 [36" X 36" X 5/8"] OR 900 X 900 X 19 [36" X 36" X 3/4"] FOR THE 13-JAW TRANSFORMER RATED COMBINATION METER BASE ENCLOSURE.
 - iii. 120V/208Y (>800A) AND 347V/600Y (>200A), 3-PHASE: INTERVAL METERING FOR STANDARD COMMERCIAL 3-PHASE SERVICE.
- G. MINIMUM OF 1000 [3'.4"] OF CLEARANCE REQUIRED IN FRONT OF ALL METERING EQUIPMENT AND EDGE OF OPERABLE DOORS) OF ENCLOSURE(S) WHILE IN THEIR OPEN POSITION.
- H. REFER TO HYDRO OTTAWA SPECIFICATIONS GCS0008, MCS0055, MCS0059, MCS0060, AND MCS0061 FOR ADDITIONAL DIMENSIONS, INFORMATION, AND REQUIREMENTS FOR MCMS METERING INSTALLATIONS.

REV#	DATE	DESCRIPTION	PREP	CHKD	APPD	TITLE
REV: 2	DATE: 2010-07-20	CHANGE: ADDED MCMS OPTION	RW	KEW	CSM	ENGINEERING SPECIFICATION MCMS/COM/RES TYPICAL SECONDARY METERING FOR MULTIPLE UNIT BUILDING WITH CONVENTIONAL METERING AND MCMS CONSTRUCTION DETAIL MCS0023
REV: 3	DATE: 2014-09-03	CHANGE: UPDATE DIMENSIONS AND NOTE	SK	SMC	CSM	
REV: 4	DATE: 2016-03-24	CHANGE: UPDATE TITLE	JD	SMC	CSM	
CHANGE:	ADD FIRE PUMP SERVICE					