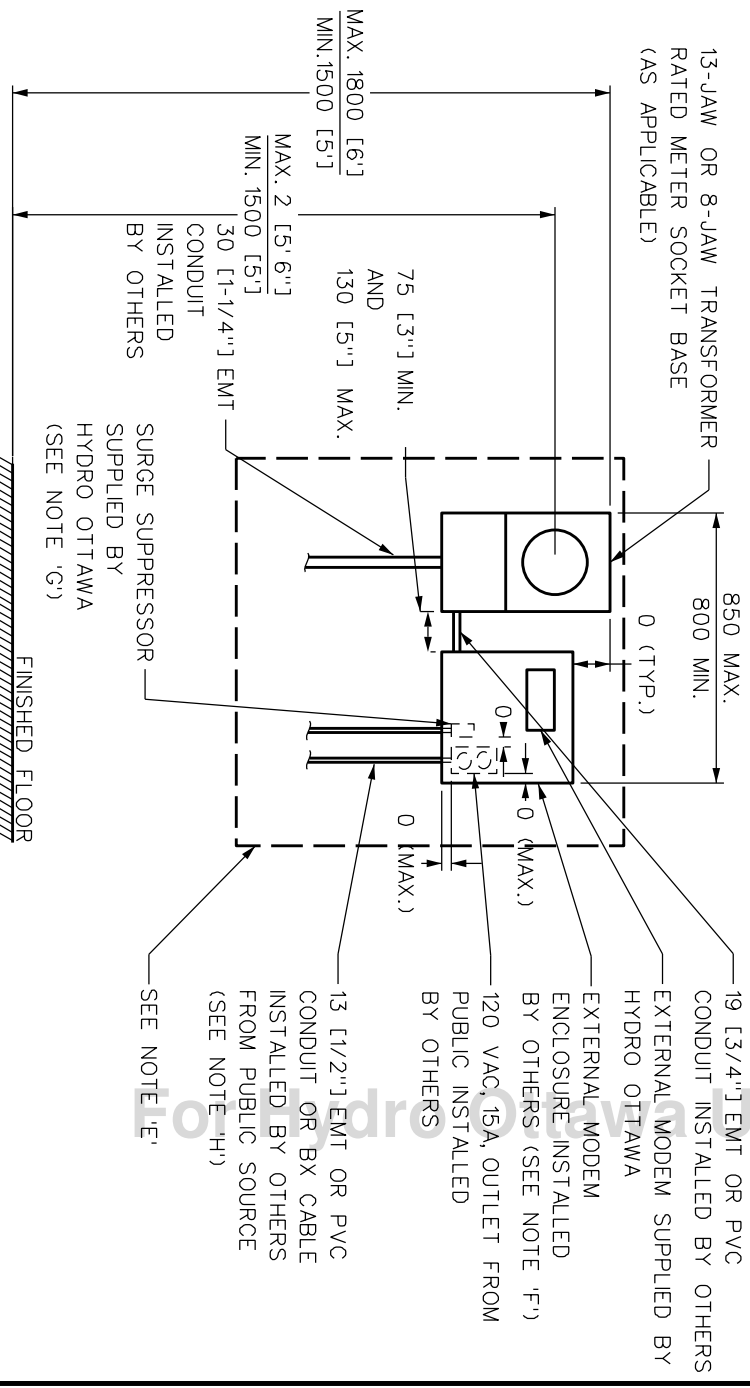


- NOTES:**
- ALL DIMENSIONS ARE IN MILLIMETERS, UNLESS OTHERWISE SPECIFIED.
  - EXTERNAL MODEM ENCLOSURE REQUIRED FOR 120V/208Y 800A (OR GREATER) OR 347V/600Y GREATER THAN 200A SERVICES. REFER TO HYDRO OTTAWA SPECIFICATION GCS0008 FOR MORE INFORMATION.
  - INSTALLATION SHALL MEET ONTARIO ELECTRICAL SAFETY CODE (OESC) AND HYDRO OTTAWA REQUIREMENTS.
  - THE EXTERNAL MODEM ENCLOSURE, SUPPLIED BY THE BUILDING OWNER, MUST BE CSA APPROVED, HAVING A MINIMUM SIZE OF 400 x 400 x 150 [16" x 16" x 6"] AND SUPPLIED COMPLETE WITH:
    - REFER TO HYDRO OTTAWA REVENUE METERING SPECIFICATION GCS0008 FOR MINIMUM NEMA RATING.
    - REMOVABLE BACK PANEL.
    - SIDE HINGED DOOR.
    - EQUIPPED WITH GROUND STUD IN CABINET AND BONDING STUDS ON DOORS.
    - PROVISIONS FOR PADLOCK UTILITY LOCKING WITH PADLOCK WITH [3/8"] SHACKLE.

- THE 13-JAW OR 8-JAW TRANSFORMER RATED METER SOCKET BASE AND ENCLOSURE SHALL BE MOUNTED ON A 1200 X 1200 X 16 [48" X 48" X 5/8"] OR 1200 X 1200 X 19 [48" X 48" X 3/4"] PLYWOOD MOUNTED BOARD, SUPPLIED BY THE BUILDING OWNER, AND COATED ON ALL SIDES WITH GRAY FIRE RETARDANT PAINT. THE FIRE RETARDANT COATING SHALL PROVIDE A MAXIMUM FLAME SPREAD RATING OF 25 (CLASS A) IN ACCORDANCE WITH ULC-CAN/UL-C-102. THE PLYWOOD MOUNTING BOARD IS EXCLUSIVELY FOR HYDRO OTTAWA'S METERING PLANT EQUIPMENT AND COMMUNICATIONS. (METER SOCKET BASE AND MODEM ENCLOSURE CAN ALSO BE MOUNTED INSIDE NEMA4 OR NEMA4X OUTDOOR RATED ENCLOSURE; SEE HYDRO OTTAWA REVENUE METERING SPECIFICATION GCS0008 FOR DETAILS).
- THE MODEM SHALL BE INSTALLED SUCH THAT THE BOTTOM OF THE ENCLOSURE IS MOUNTED AT THE SAME HEIGHT AS THE BOTTOM OF THE METER BASE. ADDITIONALLY THE DISTANCE FROM THE ENCLOSURE TO THE METER BASE SHALL BE BETWEEN 75 [3"] AND A MAXIMUM OF 130 [5"].
- THE 13 [1/2"] EMT OR PVC CONDUIT SHALL CONTAIN A TWO PAIR (4 CONDUCTOR) DEDICATED, DIRECT DIAL ANALOG PHONE LINE FROM THE TELEPHONE ENTRANCE EQUIPMENT TO THE MODEM ENCLOSURE. AN RJ-11 (4-PIN) TELEPHONE JACK SHALL ALSO BE PROVIDED AND TERMINATED ON THE TELEPHONE CABLE WITHIN THE MODEM ENCLOSURE.
- THE 120VAC OUTLET WITH DEDICATED CIRCUIT BREAKER SHALL BE SUPPLIED FROM A PUBLIC PANEL CIRCUIT USING CONDUIT MEETING OESC REQUIREMENTS. THE SUPPLY BREAKER SHALL HAVE PROVISIONS TO BE PADLOCK LOCKABLE IN THE CLOSED (ON) POSITION WHILE STILL ALLOWING TRIP-FREE OPERATION OF THE BREAKER UNDER FAULT CONDITIONS.
- MINIMUM OF 1500 [5"] OF CLEARANCE REQUIRED IN FRONT OF ALL METERING EQUIPMENT.



REVISIONS	PREP	CHKD	APPD	TITLE
REV: 1 CHANGE: GENERAL UPDATE	SK	SMC	CSM	<b>HydroOttawa</b> www.hydroottawa.com <b>ENGINEERING SPECIFICATION</b> COM 120V/208Y, 3PH, 4W, ≥ 800A, OR 347V/600Y, 3PH, 4W, >200A INTERVAL METERING EXTERNAL MODEM ENCLOSURE WITH TELEPHONE LINE FOR COMMUNICATIONS <b>CONSTRUCTION DETAIL</b>
REV: 2 CHANGE: UPDATE TITLE	JD	SMC	CSM	
REV: 1 CHANGE:	DATE: YYYY-MM-DD			PREP: G. MOLNAR CHKD: B. PECK/K.MACPHERSON APPD: C. MALONE P. Eng. DATE: 2013-04-29 SCALE: N.T.S. & ANSIA

**MCS0066**

1	REV:
1	OF
2	