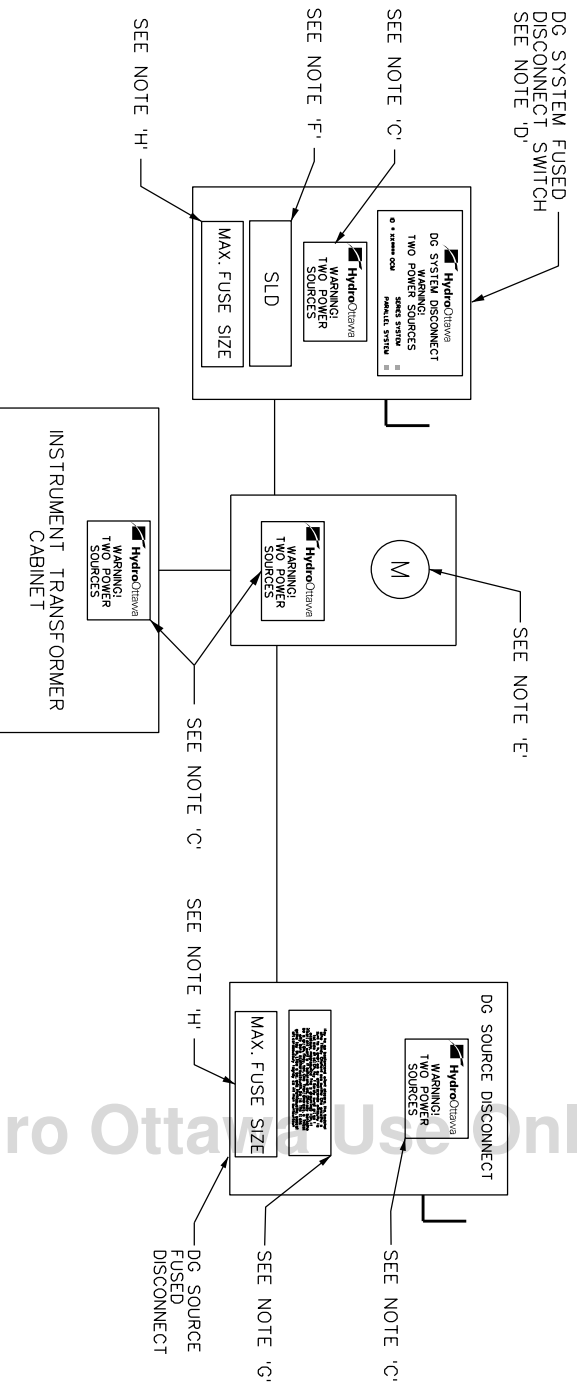


- NOTES:**
- UNLESS NOTED OTHERWISE, ALL LABELS SHALL BE WHITE ON RED LAMACOID LABELS. REFER TO HYDRO OTTAWA SPECIFICATION GCS0008 FOR MORE INFORMATION.
 - THE REQUIREMENTS OF THE ESA AND OESC, AS PER LABELLING REQUIREMENTS, SHALL TAKE PRECEDENCE OVER THIS DOCUMENT AND HYDRO OTTAWA SPECIFICATION GCS0008.
 - LABEL AS PER HYDRO OTTAWA SPECIFICATION GCS0008 THAT READS "WARNING! TWO POWER SOURCES", TO BE SUPPLIED AND INSTALLED BY HYDRO OTTAWA.
 - LABEL AS PER HYDRO OTTAWA SPECIFICATION GCS0008 THAT READS "DG SYSTEM FUSED DISCONNECT SWITCH"; TO BE SUPPLIED AND INSTALLED BY HYDRO OTTAWA.
 - BI-DIRECTIONAL SMART METER.
 - LAMACOID PLATED ELECTRICAL SINGLE LINE DIAGRAM (SLD) AS PER HYDRO OTTAWA SPECIFICATION GCS0008, TO BE INSTALLED BY CUSTOMER.
 - LAMACOID AS PER HYDRO OTTAWA SPECIFICATION GCS0008 THAT READS:
 - RATED OPERATING CURRENT AND VOLTAGE.
 - RATED OPEN CIRCUIT VOLTAGE.
 - RATED SHORT CIRCUIT CURRENT. THE RATING IS BASED ON THE GENERATION FACILITY NAMEPLATE RATING, HOWEVER FOR INVERTER BASED SYSTEMS, INDICATE (INCLUDING BOTH AC AND DC RATINGS AS APPROPRIATE) THE RATING OF THE GENERATION SOURCE ARRAY AND INVERTER.
 - MAXIMUM FUSE AMPACITY LABEL, INSTALLED BY THE CUSTOMER. REFER TO HYDRO OTTAWA SPECIFICATION GCS0008 FOR MORE INFORMATION.



DEFINITIONS:

"DG SYSTEM FUSED DISCONNECT" MEANS AN ELECTRICAL SAFETY AUTHORITY (ESA) APPROVED DEVICE WITH FACTORY INSTALLED OVER-CURRENT PROTECTION RATED AT EITHER 100% FULL-LOAD AMPS (FLA) OR 80% OF THE AVAILABLE FAULT AMPS OF THE CUSTOMER'S GENERATION OR ENERGY STORAGE EQUIPMENT, WHICHEVER IS GREATER; MOULDED CASE BREAKERS ARE NOT ACCEPTABLE. IT SHALL PROVIDE AN OBVIOUS VISIBLE OPEN POINT. THIS DEVICE IS USED TO ISOLATE THE CUSTOMER'S DISTRIBUTED GENERATION (DG) EQUIPMENT, OR ENERGY RESOURCE FACILITY (ERF) EQUIPMENT, FROM THE UTILITY DISTRIBUTION SYSTEM.

"DG SOURCE FUSED DISCONNECT" MEANS AN ELECTRICAL SAFETY AUTHORITY (ESA) APPROVED DEVICE WITH FACTORY INSTALLED OVER-CURRENT PROTECTION RATED AT EITHER 100% FULL-LOAD AMPS (FLA) OR 80% OF THE AVAILABLE FAULT AMPS FROM THE CUSTOMER'S GENERATION OR ENERGY STORAGE EQUIPMENT, WHICHEVER IS GREATER; MOULDED CASE BREAKERS ARE NOT ACCEPTABLE. IT SHALL PROVIDE AN OBVIOUS VISIBLE OPEN POINT. THIS DEVICE IS USED TO ISOLATE THE CUSTOMER'S DISTRIBUTION GENERATION (DG) EQUIPMENT, OR ENERGY RESOURCE FACILITY (ERF) EQUIPMENT, FROM THE EQUIPMENT THAT IT SUPPLIES.

REVISONS	PREP	CHKD	APPD	TITLE
REV: 1 CHANGE: REMOVE MODEM ENCLOSURE	GM	SMC	CSM	ENGINEERING SPECIFICATION ERF 120V/240V, 1PH, 3W, >400A, AND 120V/208Y OR 347V/600Y 3PH, 4W >200A PLACEMENT OF WARNING LAMACOID AND STICKERS CONSTRUCTION DETAIL
REV: CHANGE:				
REV: CHANGE:				
DATE: 2016-03-24				HydroOttawa WWW.HYDROOTTAWA.COM
DATE: 2016-01-13				PREP: J. DENMKIW P.Eng. CHKD: S. McNALLY P.Eng. APPD: C. MALONE P.Eng. DATE: 2016-01-13 SCALE: N.T.S. @ ANSIA
DATE: YYYY-MM-DD				MCS0104
DATE: YYYY-MM-DD				1 REV: 1 OF 1