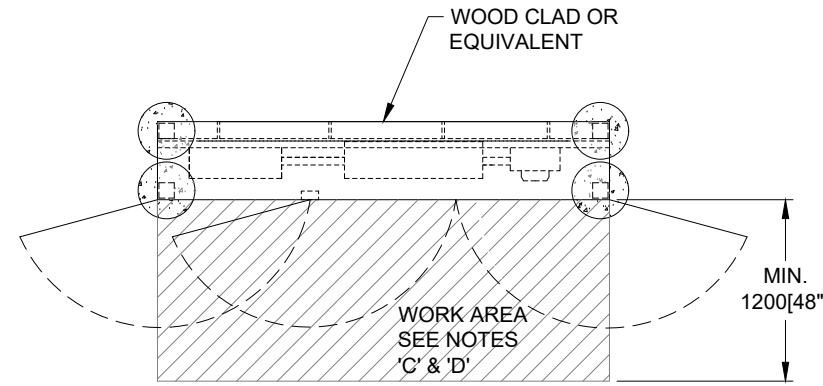


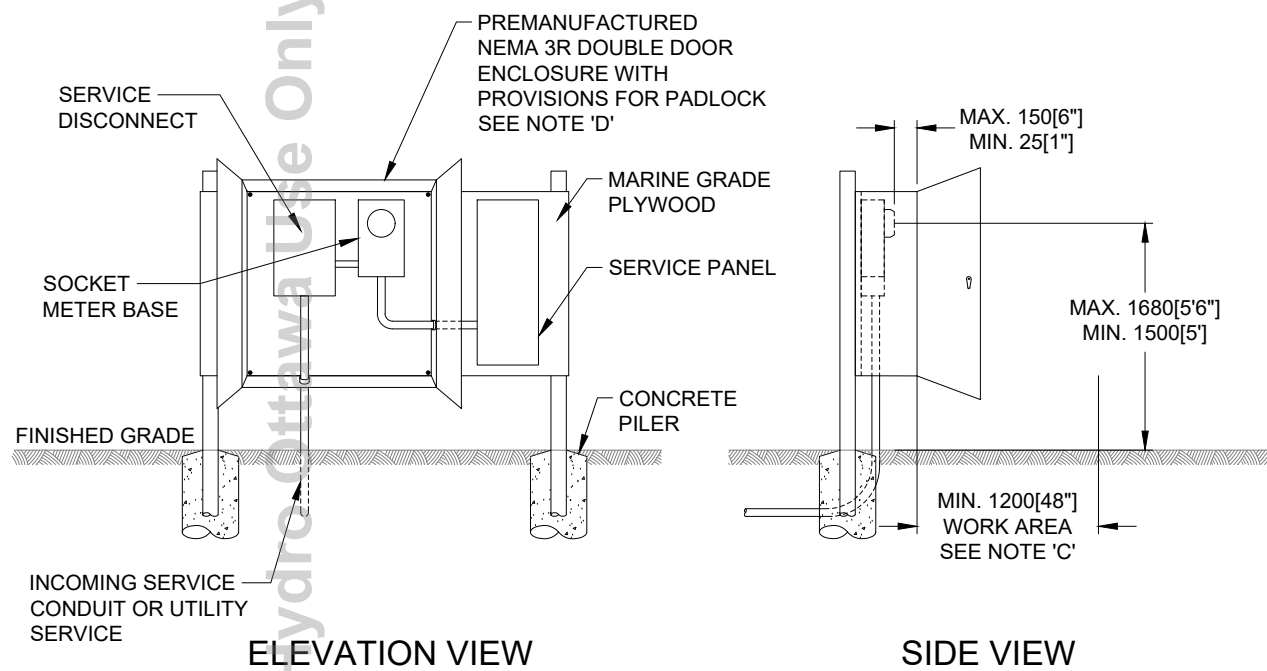
TOP VIEW



TOP VIEW

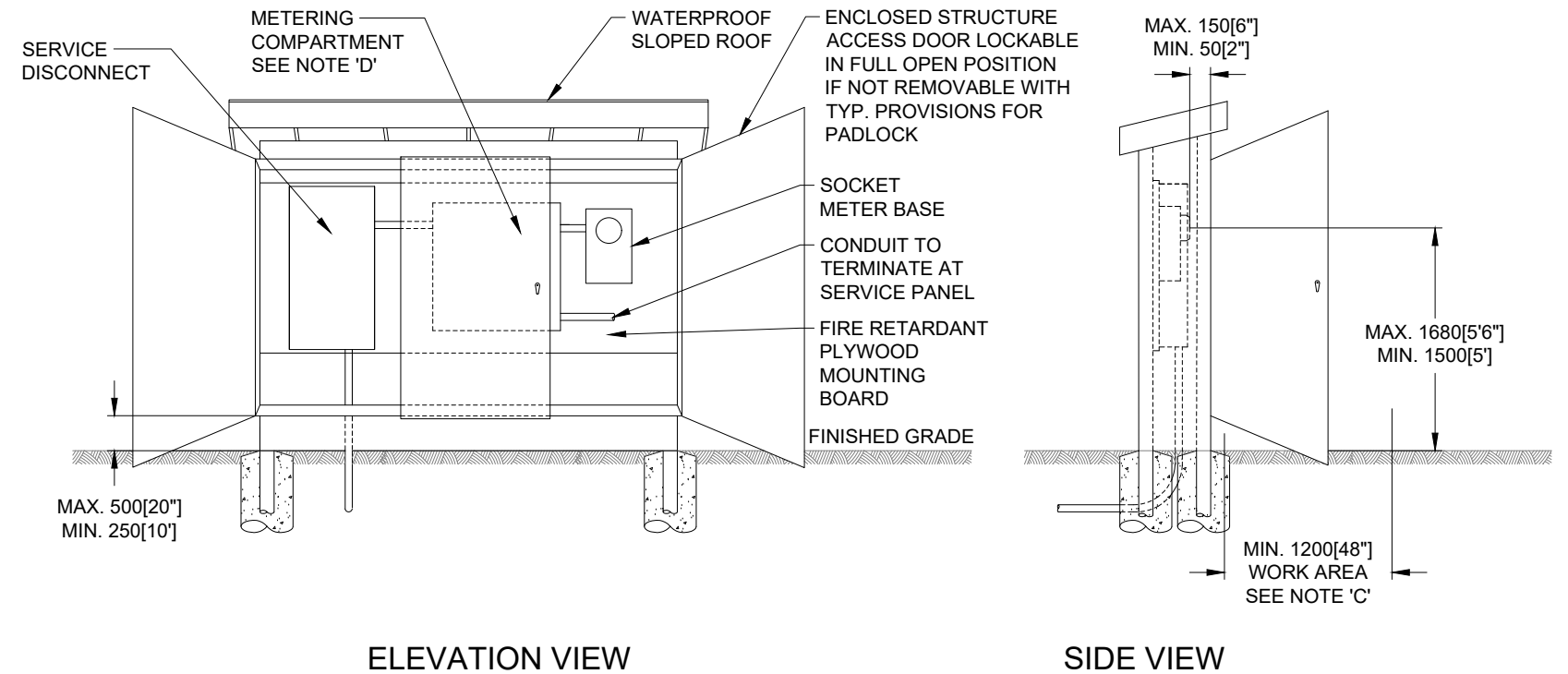
NOTES:

- A. REFER TO HYDRO OTTAWA GCS0008 FOR TEMPORARY SECONDARY SERVICE SPECIFICATION.
- B. ALL DIMENSIONS ARE IN MILLIMETERS, UNLESS OTHERWISE SPECIFIED.
- C. WORK AREA SHALL BE FLAT AND UNOBSTRUCTED AT ALL TIMES.
- D. SERVICE ENCLOSURE AND/OR METERING COMPARTMENT SHALL BE DESIGNED/CONSTRUCTED TO CONTAIN AND PROVIDE UNRESTRICTED ACCESS TO HOL METERING EQUIPMENT INCLUDING IT CABINET AND/OR SOCKET METER BASE AS APPLICABLE.
- E. TEMPORARY SERVICE EQUIPMENT AND/OR ENCLOSURE SHALL NOT BE MOUNTED OR ATTACHED TO HOL OWNED STRUCTURES TO INCLUDE POLES AND PAD-MOUNTED EQUIPMENT.
- F. TEMPORARY SERVICE INSTALLATION SHALL BE SUBJECT TO BOTH HOL AND ESA INSPECTION AND APPROVAL PRIOR TO ENERGIZATION AND/OR INSTALLATION OF HOL METERING EQUIPMENT.



ELEVATION VIEW

SIDE VIEW



ELEVATION VIEW

SIDE VIEW

OPTION 1: PREMANUFACTURED WEATHERPROOF SERVICE ENCLOSURE (TYP. FOR SERVICES ≤ 200A)

OPTION 2: FREE STANDING CUSTOM BUILT ENCLOSED STRUCTURE (TYP. FOR SERVICES > 200A)

REVISIONS				PREP	CHKD	APPD	TITLE	
REV: CHANGE:	DATE:						ENGINEERING SPECIFICATION TEMPORARY SECONDARY SERVICE COM 1-PH OR 3-PH ≤ 600A GENERAL SERVICE LAYOUT CONSTRUCTION DETAIL	
REV: CHANGE:	DATE:						NO: MCS0136	
REV: CHANGE:	DATE:						1 OF 1 REV: 0	



PREP: E. VEH
CHKD: P. LEMAY
APPD: M. WYNDHAM P. Eng
DATE: 2021-08-26
SCALE: N.T.S. @ ANSI B

LAST SAVED: 2021-08-27 7:31 AM