

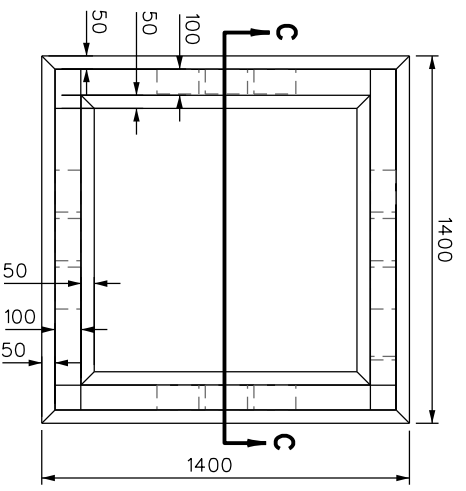
SPECIFIED LIVE LOADING REQUIREMENTS	
DISTRIBUTED LATERAL LOAD ①	25 kN/m <sup>2</sup>
TOP SLAB UNIFORMLY DISTRIBUTED LOAD ②	60 kN/m <sup>2</sup>
TOP SLAB POINT LOAD ③	70 kN

① BASED ON LATERAL LOADS FROM WATER TABLE AT SURFACE, SOIL AND SURCHARGE FROM WHEEL LOAD.

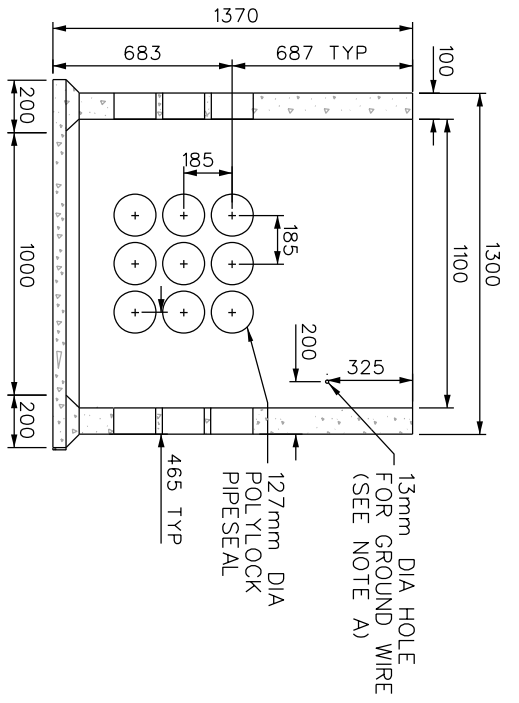
② BASED ON THE WEIGHT OF A 2500kVA TRANSFORMER OF 73.87kN (73530kg).

③ BASED ON WHEEL LOAD OF CL-625 ONTARIO TRUCK FROM CAN/CSA S6-06 LATEST EDITION.

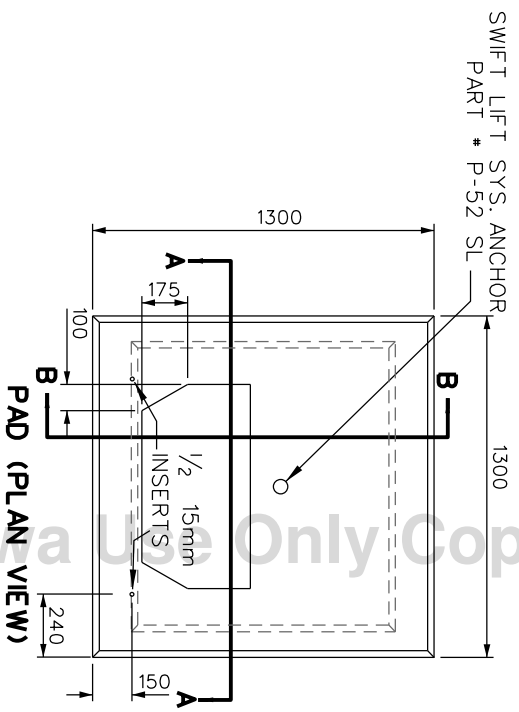
- NOTES:**
- A. HOLE FOR GROUND WIRE TO BE LABELLED WITH GROUND SYMBOL USING GREEN PAINT. SYMBOL TO MEASURE 150mm x 150mm. SAMPLE: 
  - B. ALL DIMENSIONS IN MILLIMETERS UNLESS OTHERWISE SPECIFIED.
  - C. CONCRETE - 35 MPa. AND SHALL MEET REQUIREMENTS OF CSA A23.1 LATEST EDITION FOR CONCRETE EXPOSED TO DE-ICING CHEMICALS. AIR CONTENT 5-8%, C1-CLASS OF EXPOSURE.
  - D. REINFORCING STEEL - 400MPa. MINIMUM 40mm COVER.
  - E. PAD SHALL BE PROVIDED WITH SWIFT LIFT SYSTEM TO ACCOMMODATE INSTALLATION AND REMOVAL.



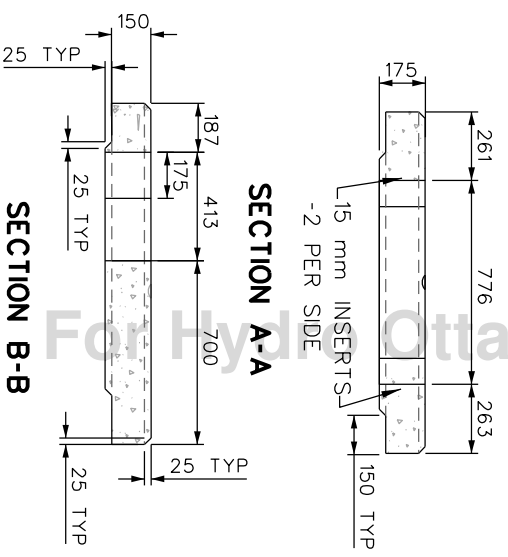
**BASE (PLAN VIEW)**



**SECTION C-C TYPICAL**



**PAD (PLAN VIEW)**



**SECTION A-A**

**SECTION B-B**

REVISONS	PREP	CHKD	APPD
DATE	GM	CP	CSM
REV: 4 DATE: 2008-12-16 CHANGE: BASE & PAD DIMENSION CHANGED TO ACCEPT 167kVA			
REV: 5 DATE: 2010-06-15 CHANGE: THEADED INSERTS, BASE & PAD DIMENSIONS & TITLE	LB	CM	CSM
REV: 6 DATE: 2015-05-25 CHANGE: REVISED TABLE & NOTES	MM	RW	GSM

  
www.hydroottawa.com

PREP: G. MOLNAR  
CHKD: C. MORAN  
APPD: C. MALONE  
DATE: 2002-03-15  
SCALE: 1:25 @ ANSIA

TITLE  
**ENGINEERING SPECIFICATION  
TRANSFORMER BASE & PAD  
1 PHASE 25kVA-167kVA  
CONSTRUCTION DETAIL**

NO: **UCS0003**

1	REV:
1	OF
6	