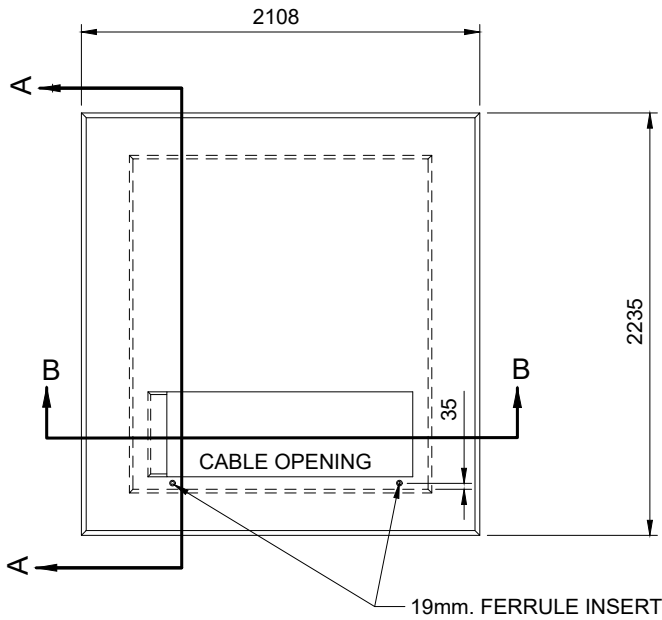


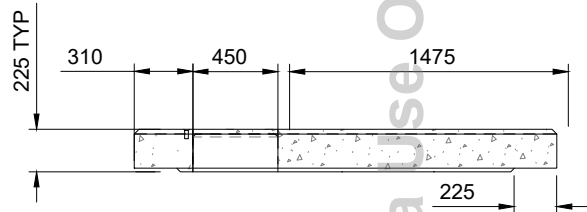
SPECIFIED LIVE LOADING REQUIREMENTS	
DISTRIBUTED LATERAL LOAD ①	25 kN/m ²
TOP SLAB UNIFORMLY DISTRIBUTED LOAD ②	60 kN/m ²
TOP SLAB POINT LOAD ③	70 kN
① BASED ON LATERAL LOADS FROM WATER TABLE AT SURFACE, SOIL AND SURCHARGE FROM WHEEL LOAD.	
② BASED ON THE WEIGHT OF A 2500kVA TRANSFORMER OF 73.87kN (7530kg).	
③ BASED ON WHEEL LOAD OF CL-625 ONTARIO TRUCK FROM CAN/CSA S6-06 LATEST EDITION.	

NOTES:

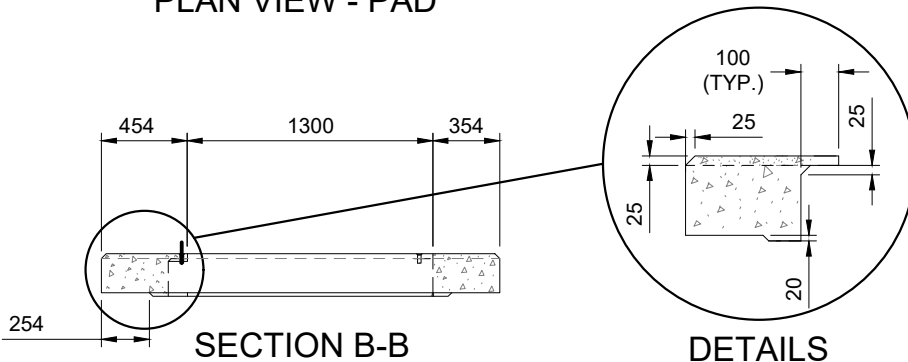
- A. ALL DIMENSIONS IN MILLIMETERS UNLESS OTHERWISE INDICATED.
- B. CONCRETE - 35 MPa, AND SHALL MEET REQUIREMENTS OF CSA A23.1 LATEST EDITION FOR CONCRETE EXPOSED TO DE-ICING CHEMICALS. AIR CONTENT 5-8%, C1-CLASS OF EXPOSURE.
- C. REINFORCING STEEL - 400MPa, MINIMUM 40mm COVER.
- D. PAD SHALL BE PROVIDED WITH SWIFT LIFT SYSTEM TO ACCOMMODATE INSTALLATION AND REMOVAL.
- E. PAD DESIGNED TO FIT UCS0025 SWITCHING MANHOLE BASE.



PLAN VIEW - PAD



SECTION A-A




SECTION B-B

DETAILS

4.2.3 TECH STD AND MAT --> 01 STDS --> 01 HOL --> U-UNDERGROUND --> C-CHAMBERS

For Hydro Ottawa Use Only Copyright 2022

REVISIONS			PREP	CHKD	APPD	 WWW.HYDROOTTAWA.COM	TITLE ENGINEERING SPECIFICATION TRANSFORMER PAD ON 612 EQUIPMENT MAINTENANCE HOLE BASE 3 PHASE CONSTRUCTION DETAIL							
REV: 1	DATE: 2010-05-27	FB	RW	CSM										
CHANGE: TITLE CHANGE														
REV: 2	DATE: 2015-05-25	MM	RW	CSM										
CHANGE: REVISED TABLE & NOTES						PREP: G. MOLNAR								
REV: 3	DATE: 2022-06-06	EV	MW	BH		CHKD: C. PROULX								
CHANGE: REMOVE KNOCKOUT FROM SECONDARY SIDE						APPD: C. MALONE P.Eng								
						DATE: 2008-11-10								
						SCALE: N.T.S. @ ANSI A								
							NO:	<table border="1"> <tr> <td>1</td> <td>REV:</td> </tr> <tr> <td>OF</td> <td>3</td> </tr> <tr> <td>1</td> <td></td> </tr> </table>	1	REV:	OF	3	1	
1	REV:													
OF	3													
1														
							<p style="font-size: 24pt; font-weight: bold;">UCS0035</p>							