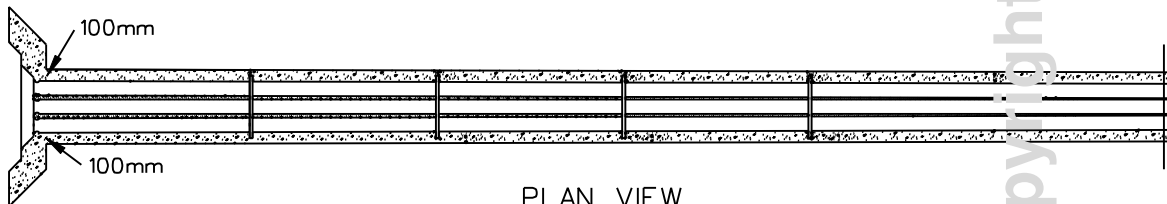
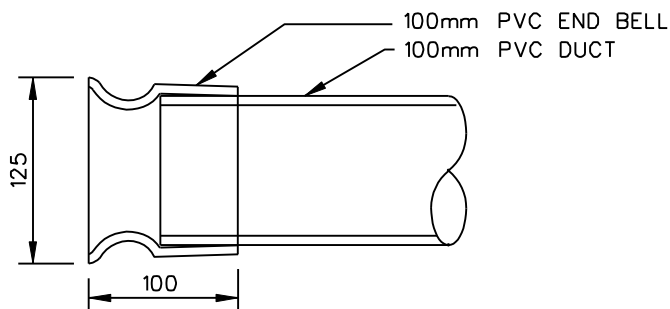


ELEVATION



PLAN VIEW



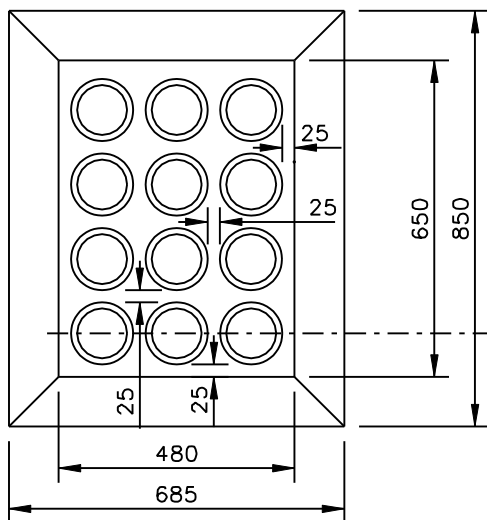
END BELL DETAIL

CAUTION

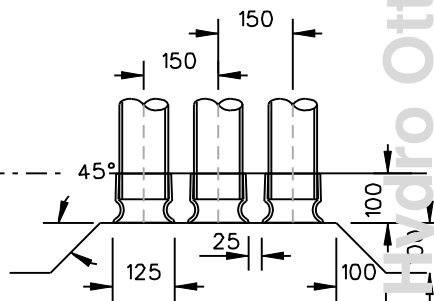
NAILS ARE NOT TO BE USED TO SECURE END BELLS TO FORM WORK WHEN SETBACK IS BEING INSTALLED AROUND CABLES, SEE HYDRO OTTAWA STANDARD WORK METHOD UG10 FOR DETAILS.

NOTE

- A. ALL DIMENSIONS ARE IN MILLIMETERS UNLESS OTHERWISE SPECIFIED
- B. SEE DWG. UCS0019 FOR ADDITIONAL MANHOLE ENTRY DETAILS
- C. SEE DWG. UDS0001 FOR OTHER ACCEPTABLE DUCT FORMATIONS.



TYPICAL SETBACK



TYPICAL END BELL SPACING

5/20/2010 8:10:09 AM

REVISIONS				PREP	CHKD	APPD	TITLE		
REV: 1	DATE: 2002-07-04	CHANGE: REDRAW USING CADD	G.M.	P.L.	CSM	 www.HYDRO-OTTAWA.COM	ENGINEERING SPECIFICATION		
REV: 2	DATE: 2007-05-31	CHANGE: NOTES LAYOUT CHANGED DRAWING TITLE CHANGE	G.M.	C.P.	CSM		MANHOLE DUCT TERMINATION		
REV: 3	DATE: 2010-05-18	CHANGE: TITLE CHANGE	FB	RW	CSM		CONSTRUCTION DETAIL		
PREP: G. MOLNAR CHKD: C. PROULX APPD: C. MALONE P. Eng DATE: 2002-04-29 SCALE: N.T.S.    ANSI A							NO:	UDS0005	
								1 OF 1	REV: 3