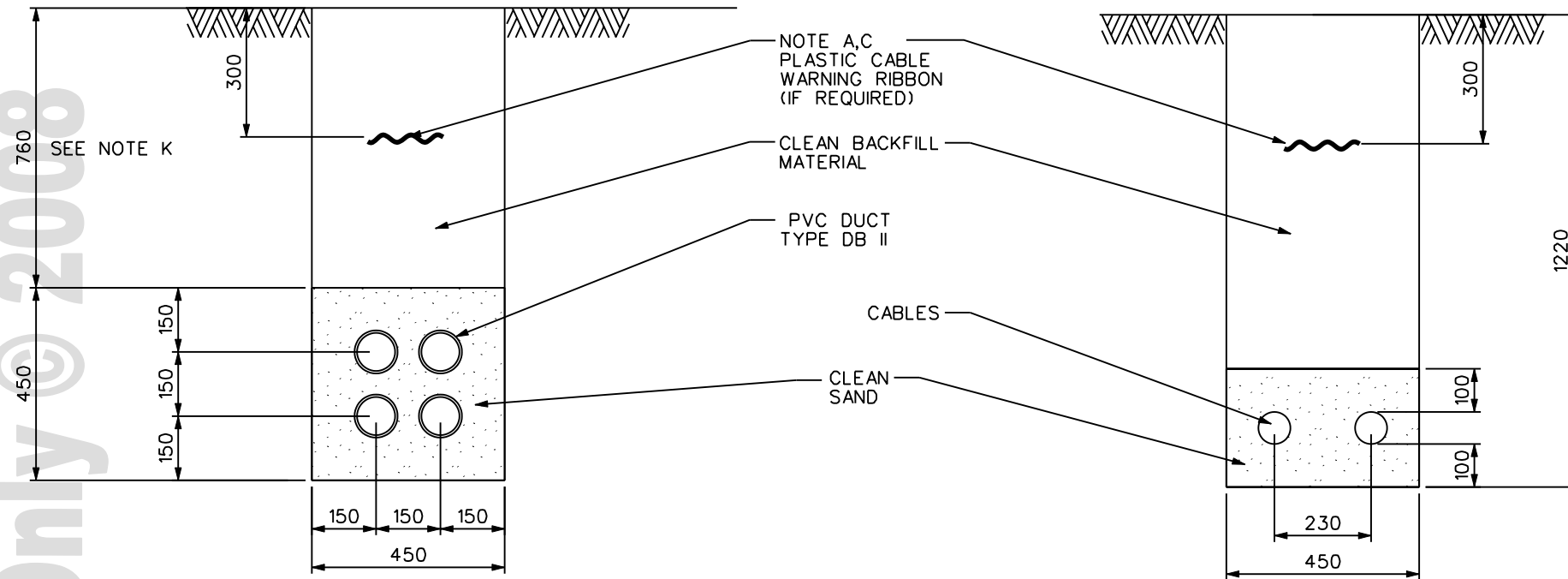


Hydro Ottawa Use Only © 2008

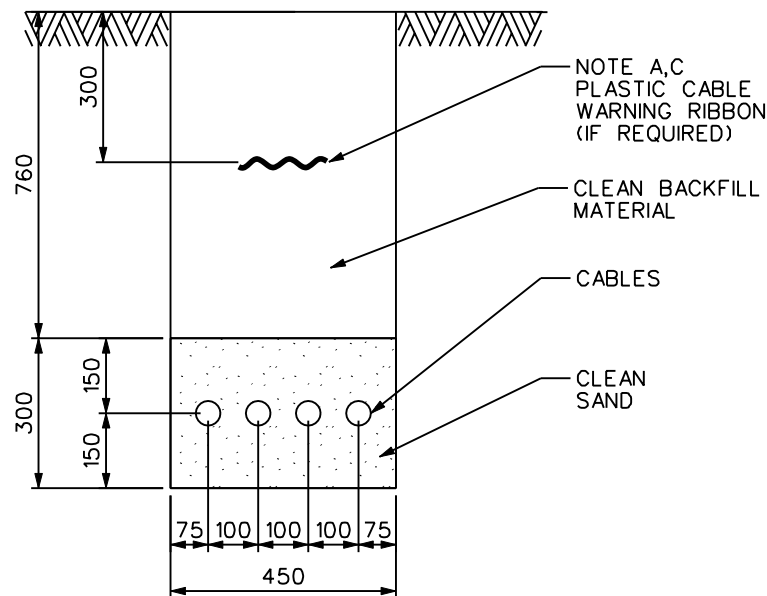


TYPICAL ARRAY OF DIRECT BURIED DUCTS

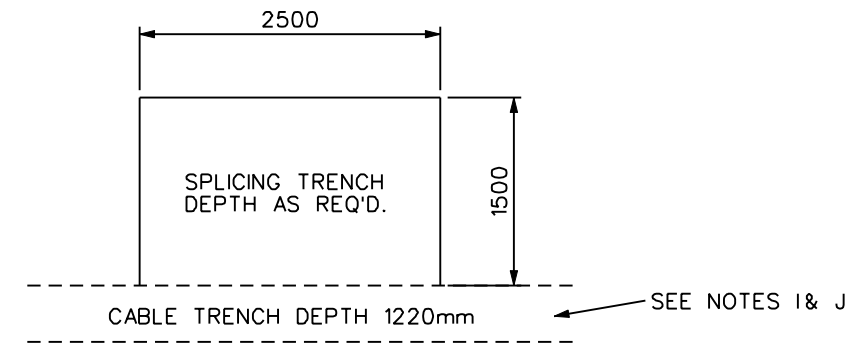
TYPICAL TRENCH FOR DIRECT BURIED THREE - PHASE CABLES

NOTES:

- A. SUPPLIED BY HYDRO OTTAWA
- B. CSA C22.2 No. 211.1 APPLIES TO ALL PVC DUCTING.
- C. BACKFILL TO LEVEL OF RIBBON (IF REQ'D.) INSTALL RIBBON AND BACKFILL.
- D. EACH SUCESSIVE LAYER OF DUCTS TO BE LAID AND BACKFILLED WITH SAND UNTILL ALL LAYERS HAVE BEEN BURIED.
- E. INTERMEDIATE SPACERS NOT TO BE USED.
- F. DUCT JOINTS TO BE GLUED USING AN APPROVED PVC SOLVENT.
- G. ALL DUCT ACCESSORIES SHALL BE OF PVC SOLVENT WELD TYPE. I.E. COUPLINGS, BENDS.
- H. ALL MEASUREMENTS IN MILLIMETERS UNLESS OTHERWISE INDICATED
- I. FOR EACH ADDITIONAL CABLE OVER TWO ADD 230mm TO TRENCH WIDTH.
- J. CONTRACTOR IS REQUIRED TO PREPARE TRENCH AS SHOWN. HYDRO OTTAWA WILL THEN INSTALL THE CABLE AND THE CONTRACTOR WILL BE REQUIRED TO BACKFILL AND REINSTATE TRENCH ACCORDING TO HYDRO OTTAWA SPECIFICATIONS.
- K. IN HYDRO OTTAWA OWNED SUBSTATION, MINIMUM COVER MAY BE REDUCED TO 450mm AS DIRECTED BY HYDRO OTTAWA



TYPICAL TRENCH FOR DIRECT BURIED SINGLE PHASE CABLE



SPlicing PIT - PLAN VIEW

REVISIONS				PREP	CHKD	APPD	www.HYDRO-OTTAWA.COM PREP: F. BOLO CHKD: C. PROULX APPD: C. MALONE P.Eng. DATE: 2002-05-15 SCALE: N.T.S. @ ANSIB	TITLE		
REV: 3	DATE: 2007-08-01	CHANGE: DRAWING LAYOUT	GM	KH	CSM	ENGINEERING SPECIFICATION TRENCH FOR DIRECT BURIED CABLE AND DUCT CONSTRUCTION DETAIL		NO:	UDS0008	
REV: 4	DATE: 2007-08-28	CHANGE: NOTES I & J ADDED	GM	KH	CSM					
REV: 5	DATE: 2008-06-09	CHANGE: NOTE K ADDED	CP	CP	CSM					
								1	REV:	5
							OF			
							1			