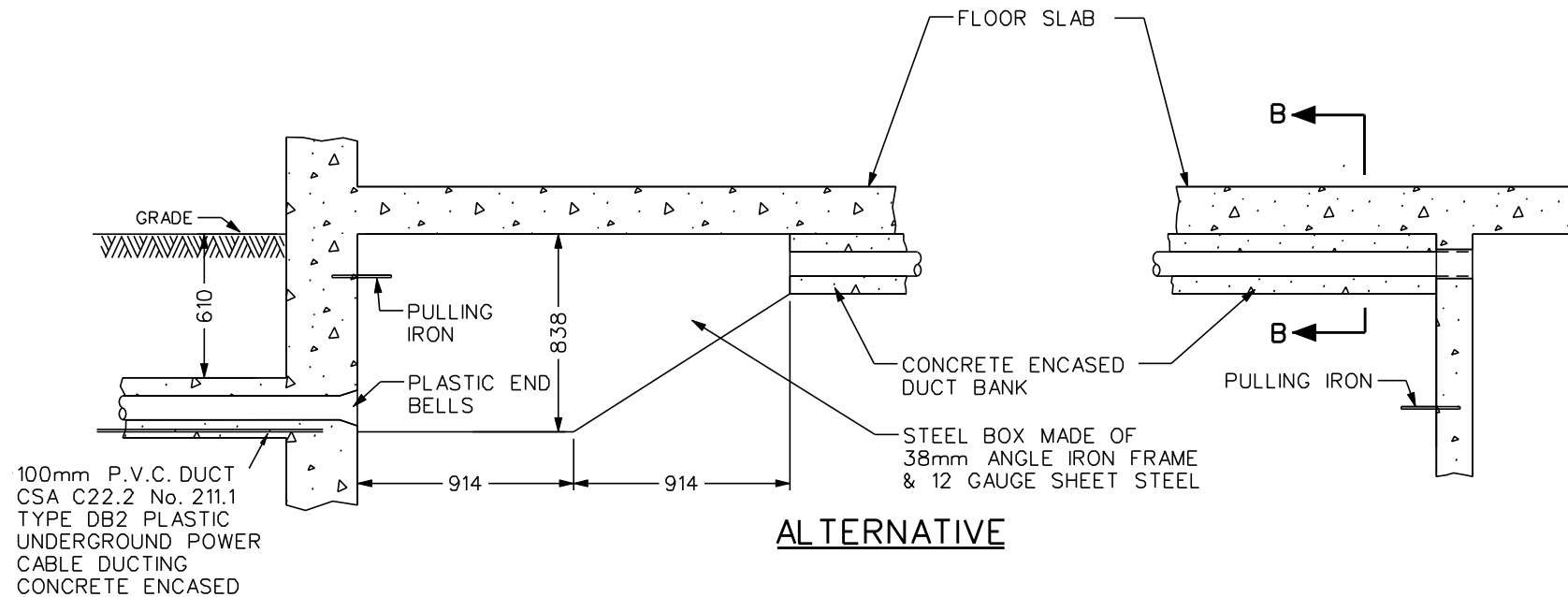


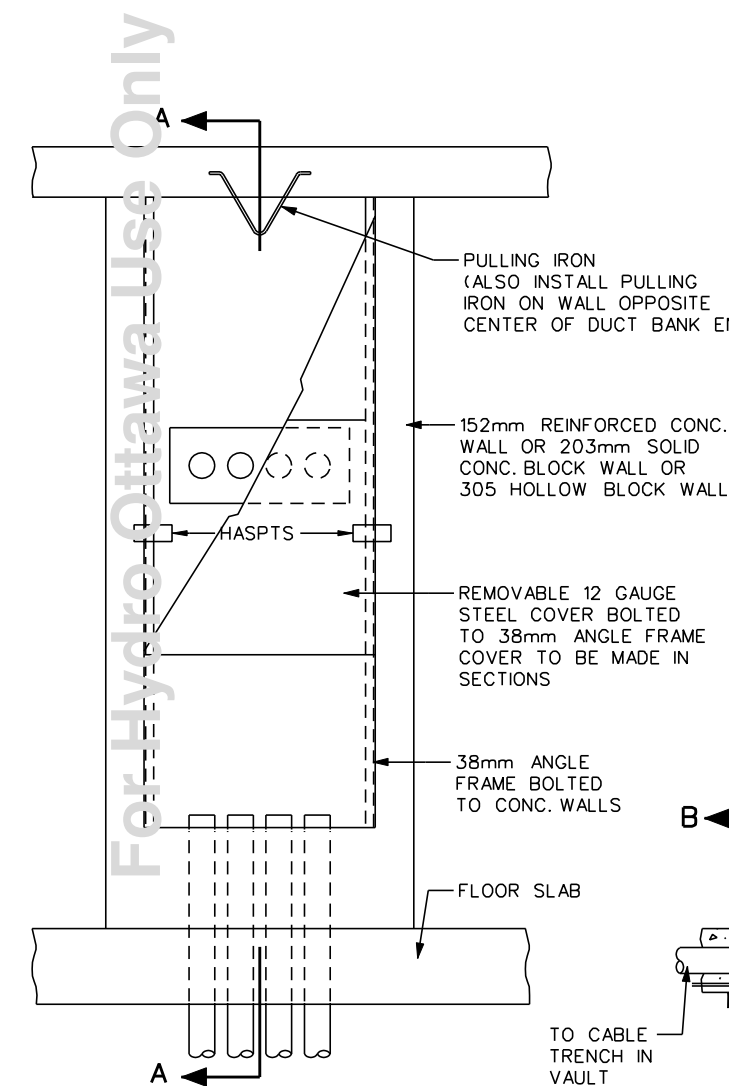
PLAN VIEW



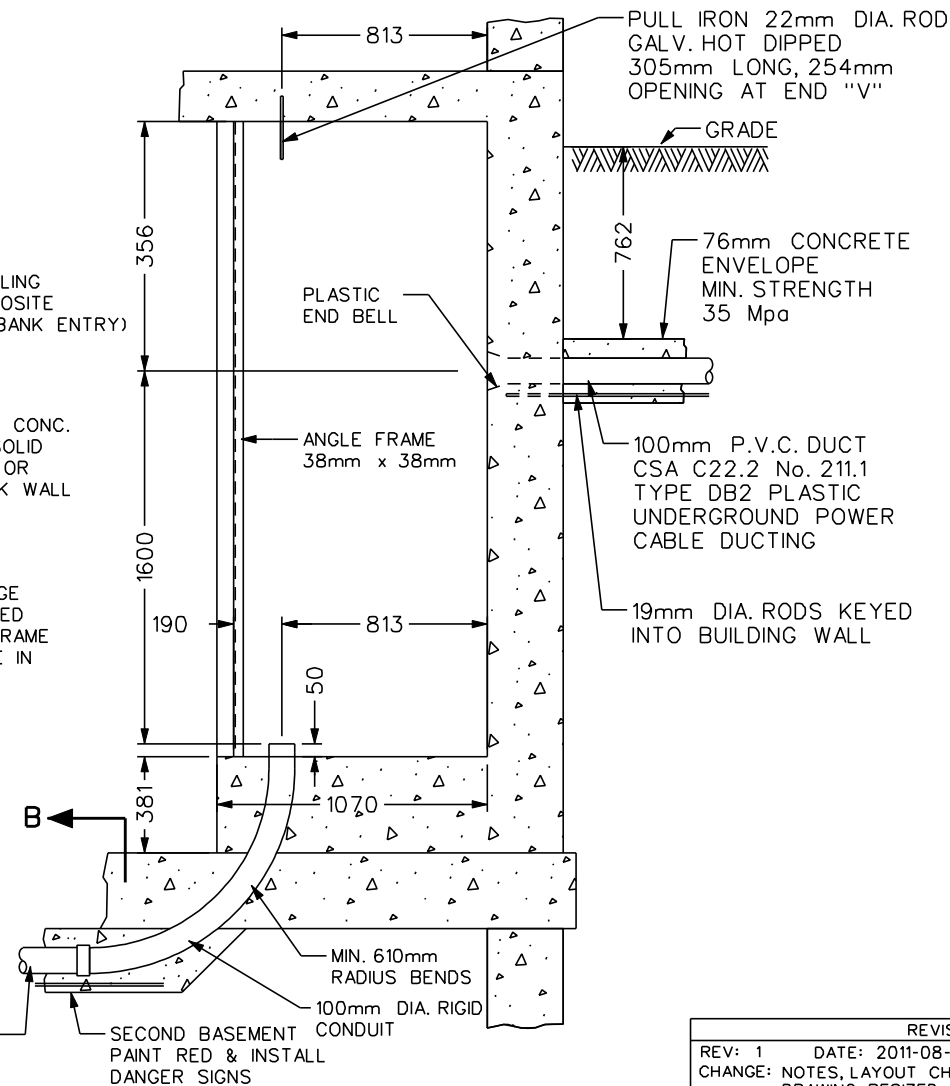
ALTERNATIVE

NOTES:

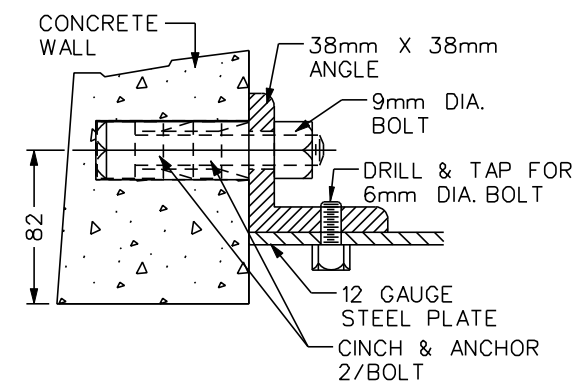
- A. COMPLETE UNIT TO BE PAINTED RED WITH "DANGER HIGH VOLTAGE" SIGNS ON ALL SIDES.
- B. REMOVEABLE PANELS TO BE LOCKED.
- C. ALL DIMENSIONS ARE IN MILLIMETERS UNLESS OTHERWISE NOTED, AND REFLECTS A TYPICAL CHAMBER.



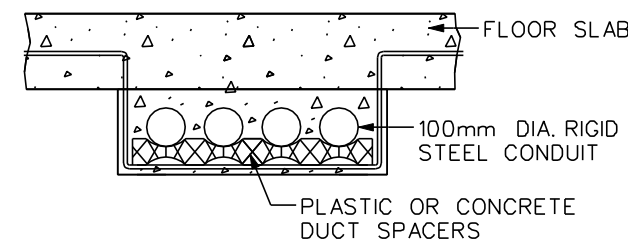
FRONT VIEW



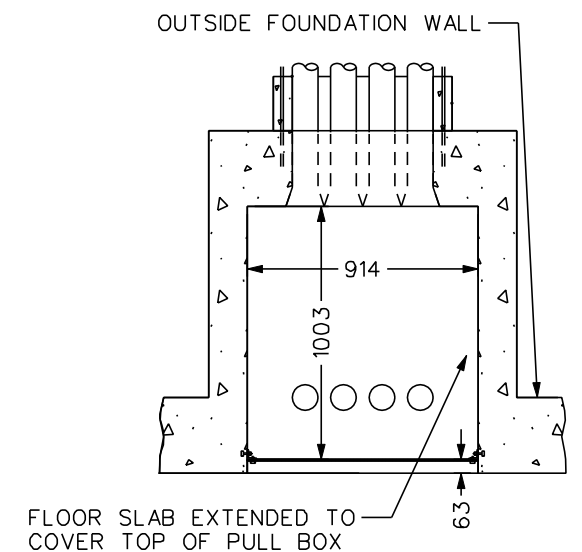
SECTION A-A



DETAIL OF ANGLE FRAME



SECTION B-B



ALTERNATIVE

REVISIONS		PREP	CHKD	APPD
REV: 1	DATE: 2011-08-16	GM	CP	CSM
CHANGE:	NOTES, LAYOUT CHANGED DRAWING RESIZED TO FIT BORDER	FB	RL	LAL
REV:	DATE: YYYY-MM-DD			
CHANGE:				
REV:	DATE: YYYY-MM-DD			
CHANGE:				

HydroOttawa
WWW.HYDRO-OTTAWA.COM

PREP: F. BOLO
CHKD: G. MAGILL
APPD: C. MALONE P.Eng.
DATE: 2002-04-22
SCALE: N.T.S. @ ANSIB

TITLE: **ENGINEERING SPECIFICATION
BUILDING VAULT SUPPLY
CABLE PULLING CHAMBER
CONSTRUCTION DETAIL**

NO: **UDS0009**

1 OF 1 REV: 1