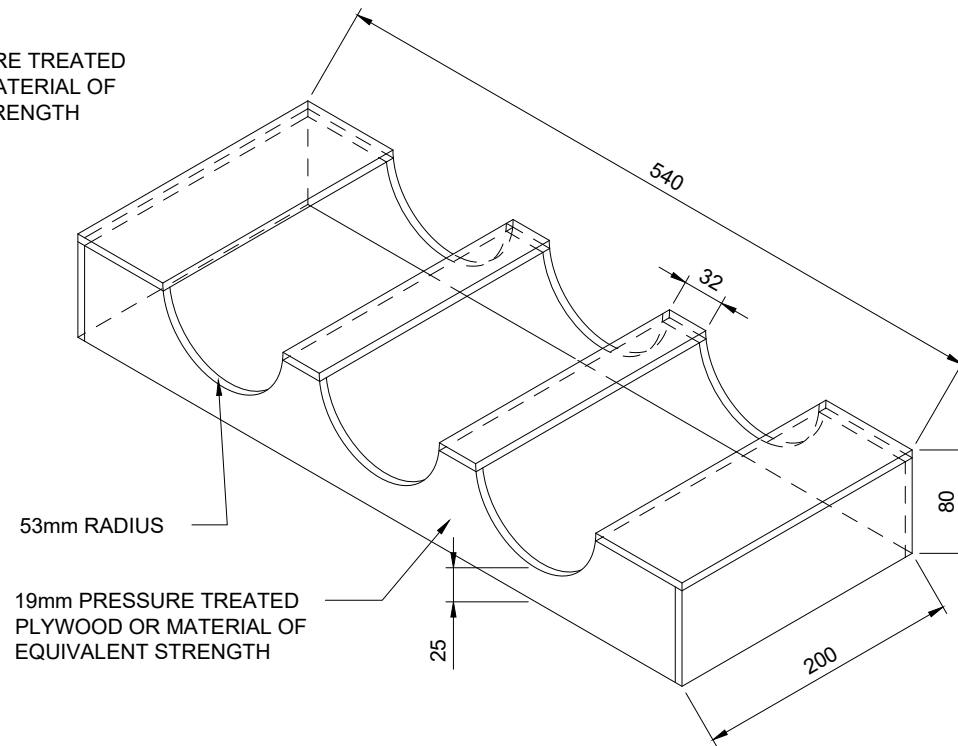
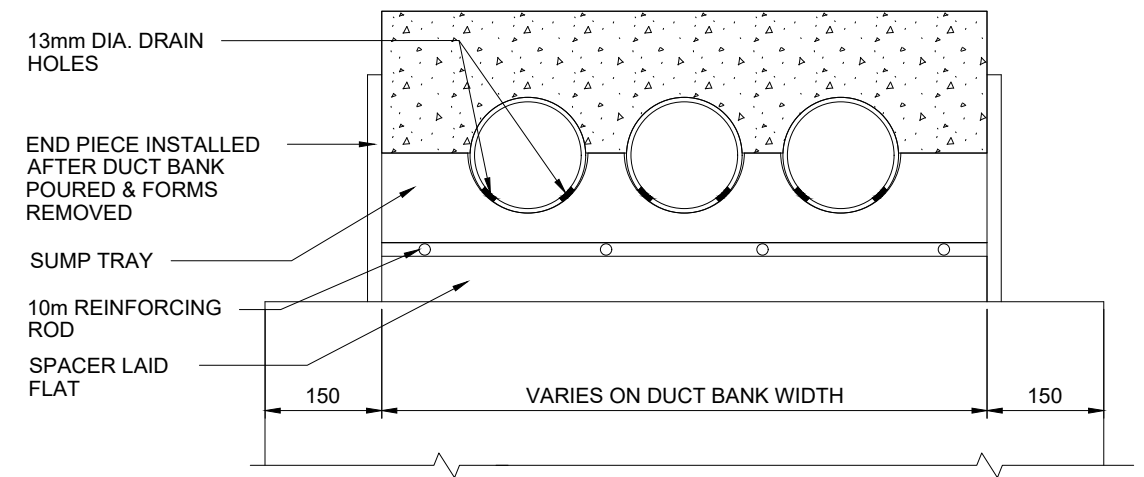


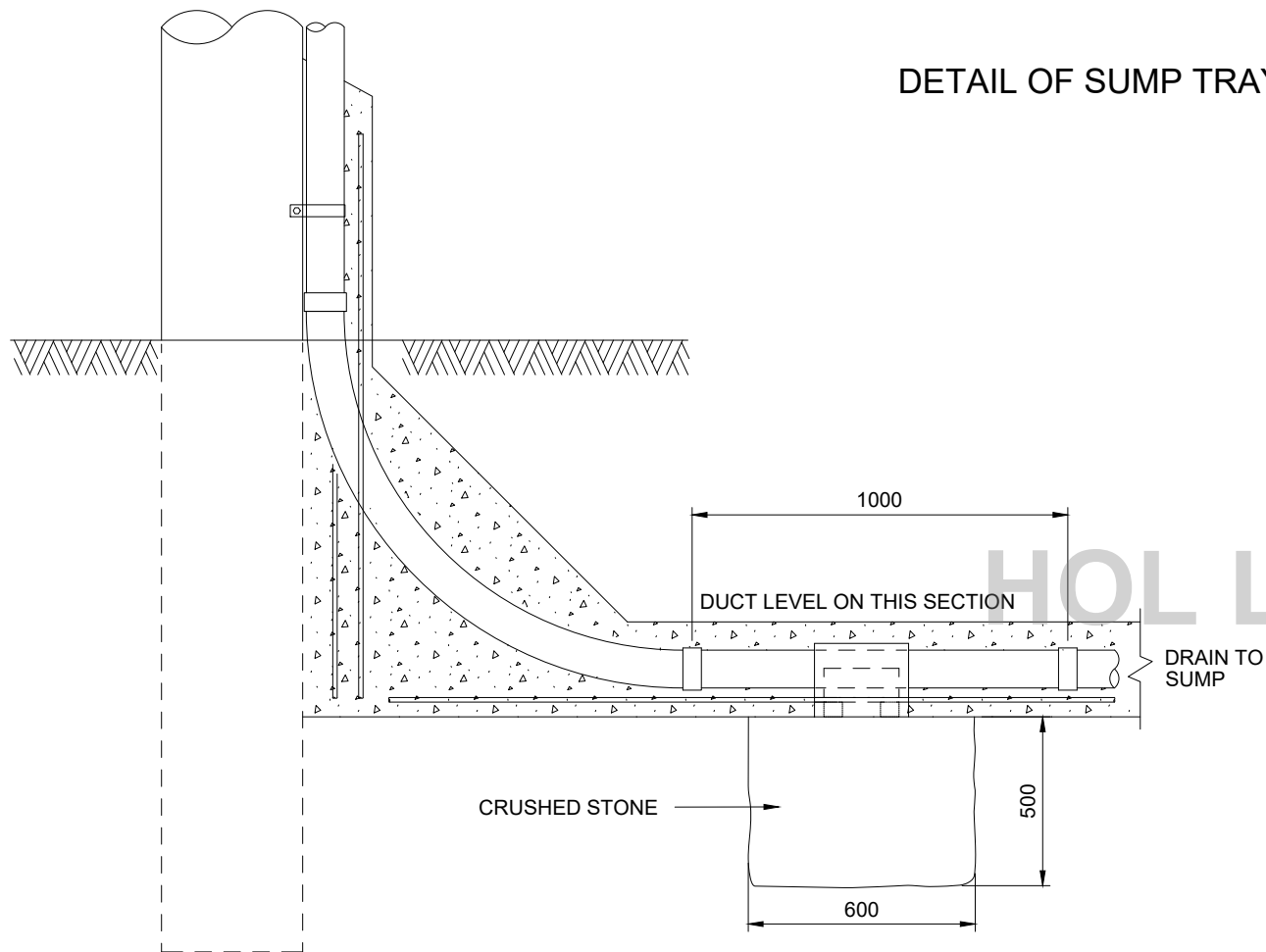
DETAIL OF END PIECE



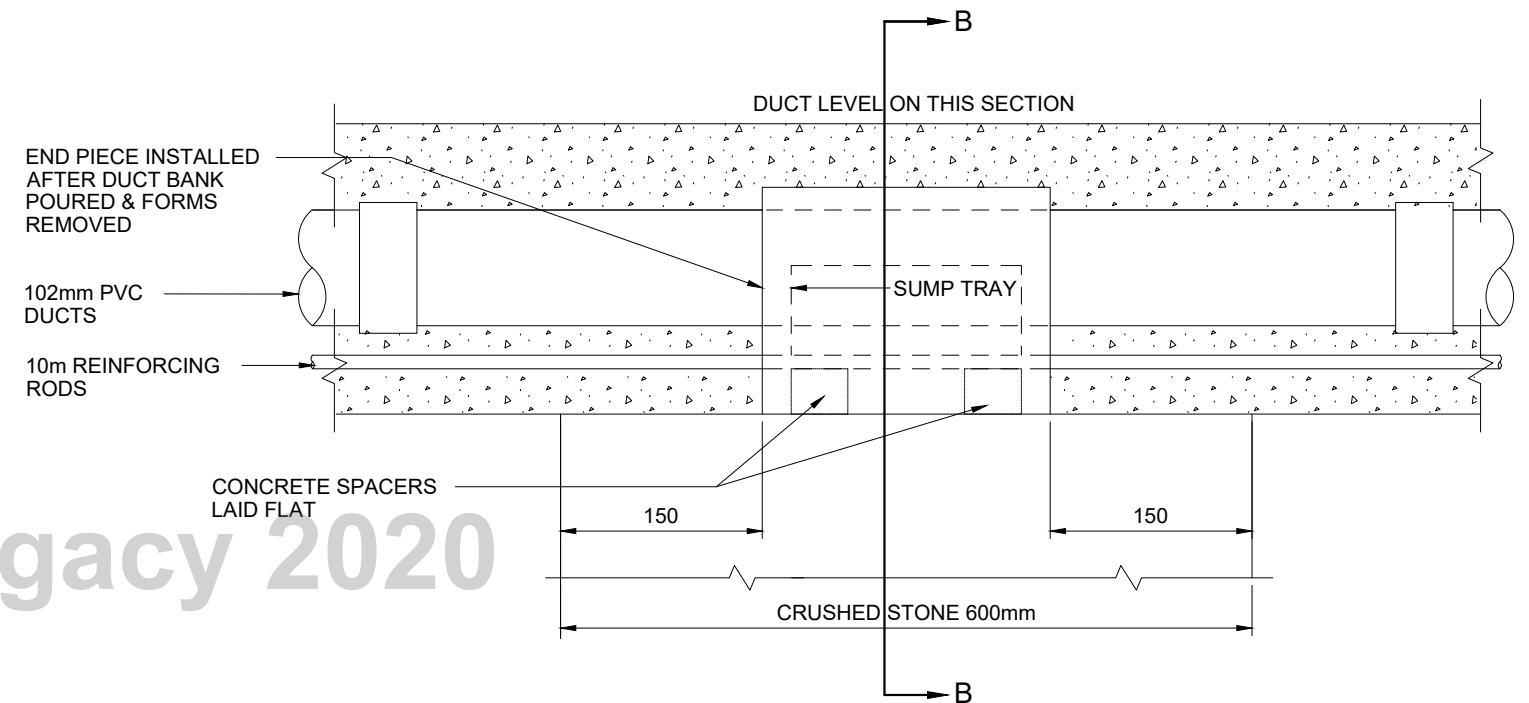
DETAIL OF SUMP TRAY




SECTION B-B



TYPICAL INSTALLATION OF SUMP TRAY IN POLE LATERAL



SIDE VIEW OF INSTALLATION OF SUMP TRAYS FORMATION

REVISIONS				PREP	CHKD	APPD	TITLE	
REV: 1	DATE: 2002-07-04	FBG	PL	CSM	 WWW.HYDROOTTAWA.COM	ENGINEERING SPECIFICATION		
CHANGE: REDRAW USING CADD						DUCT POLE LATERAL SUMP TRAY		
REV: 2	DATE: 2010-05-18	FB	RW	CSM		CONSTRUCTION DETAIL		
CHANGE: TITLE CHANGE					PREP: F. BOLO			
REV: 3	DATE: 2020-05-28	EV	MW	RH	CHKD: C. PROULX			
CHANGE: MADE LEGACY					APPD: C. MALONE P. Eng			
					DATE: 2002-05-08			
					SCALE: N.T.S. @ ANSI B			
							NO:	1
							REV:	3
								1
								OF
								1

LAST SAVED: 2020-06-02 1:32 PM