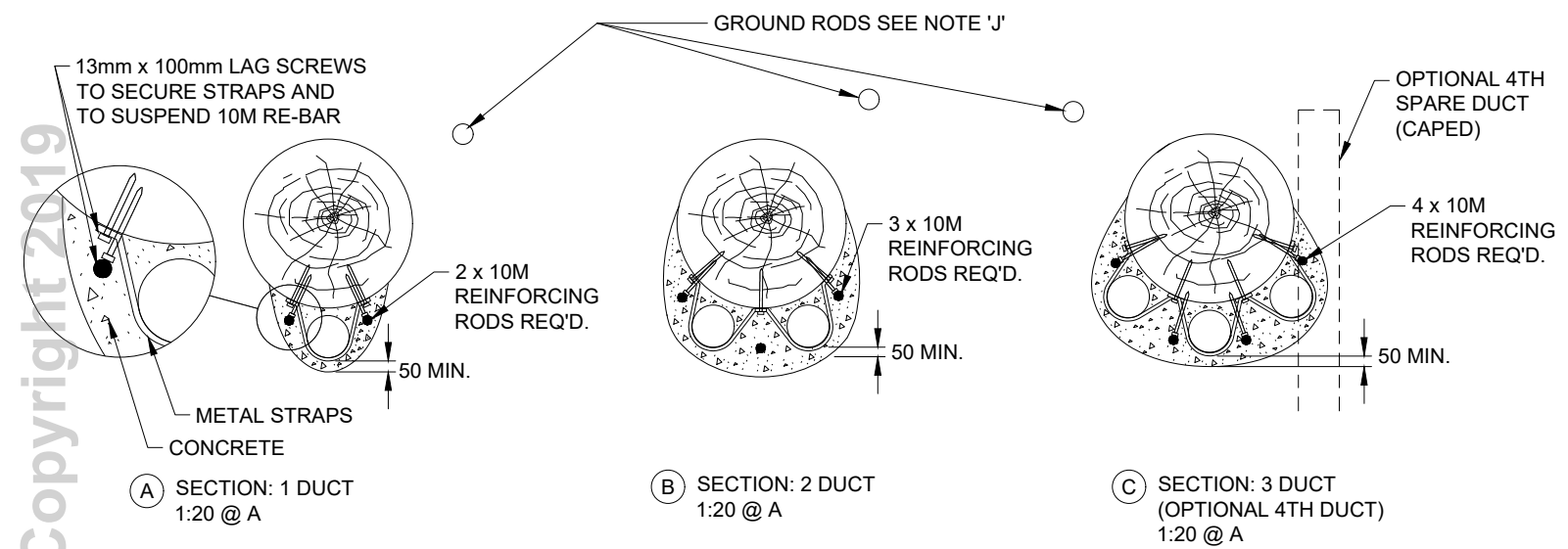
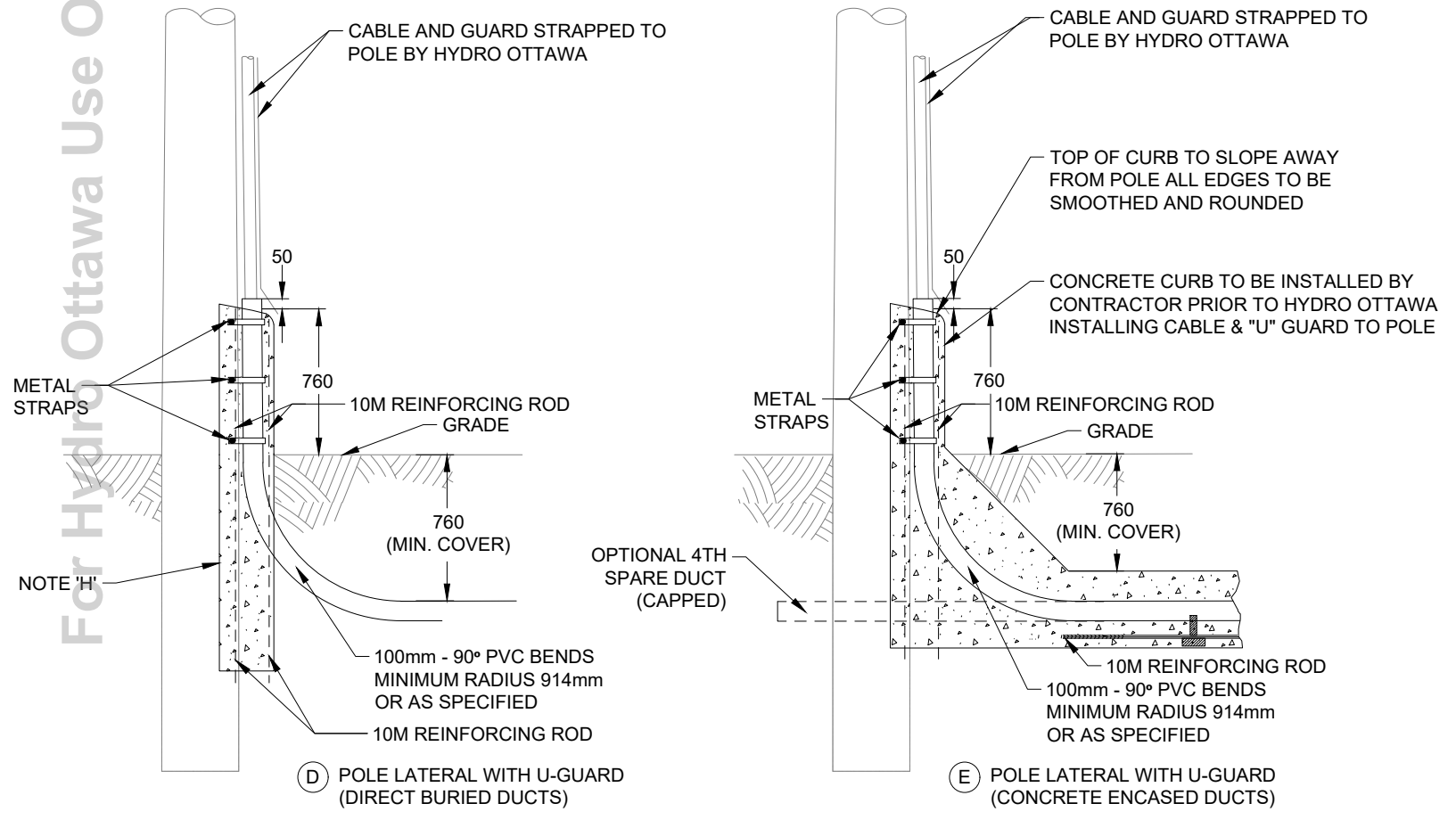


For Hydro Ottawa Use Only Copyright 2019



NOTES:

- A. CONCRETE - 20 MPa. (SEE GCS0005 SECTION 7.0 FOR MATERIAL SPECIFICATIONS), CONCRETE TO BE VIBRATED.
- B. FOR REBUILT POLE LATERAL, NEW CONCRETE SHALL BE DOWELED TO EXISTING CONCRETE.
- C. SPACE BETWEEN DUCTS MAY VARY DEPENDING ON SITE AND POLE CONDITIONS.
- D. EXACT LOCATION OF RISER ON POLE TO BE DETERMINED BY HYDRO OTTAWA IN THE FIELD.
- E. N.I.U. DUCTS TO BE CAPPED AND SECURED BY MECHANICAL MEANS.
- F. CONCRETE CURBS TO BE FORMED USING SONO TUBE AND STRIPPED ONCE CONCRETE IS CURED.
- G. ALL MEASUREMENTS IN MILLIMETERS UNLESS OTHERWISE INDICATED.
- H. ALL PRIMARY LATERALS TO BE CONCRETE ENCASED. SECONDARY LATERALS TO BE CONCRETE ENCASED IN DAMAGE PRONE AREAS AS DIRECTED BY HYDRO OTTAWA.
- I. DUCTS AND TRENCHES MUST BE INSPECTED BY HYDRO OTTAWA BEFORE ANY CONCRETE IS POURED.
- J. AT PRIMARY RISERS, GROUND RODS TO BE INSTALLED BY CIVIL CONTRACTOR AS PER OGS0001.



REVISIONS		PREP	CHKD	APPD
REV: 8	DATE: 2010-06-16 CHANGE: NOTE 'J' REVISED REQUIRED ADJUST STRAP LOCATION NOTE 'J' REVISED	SLJ	RW	CSM
REV: 9	DATE: 2018-09-11 CHANGE: ADJUST STRAP LOCATION, FIX COVER DIMENSION	GM	MW	BDH
REV: 10	DATE: 2019-02-05 CHANGE: FIXED TYPO ON FIGURE E	EV	MW	BDH

HydroOttawa
WWW.HYDROOTTAWA.COM

PREP: G. MOLNAR
CHKD: C. PROULX
APPD: C. MALONE P.Eng.
DATE: 2007-05-08
SCALE: N.T.S. @ ANSI B

TITLE	ENGINEERING SPECIFICATION
	DUCT POLE LATERAL FOR WOOD POLE
	CONSTRUCTION DETAIL
NO:	UDS0023
REV:	1 OF 1
	10

LAST SAVED: 2019-02-05 12:53 PM