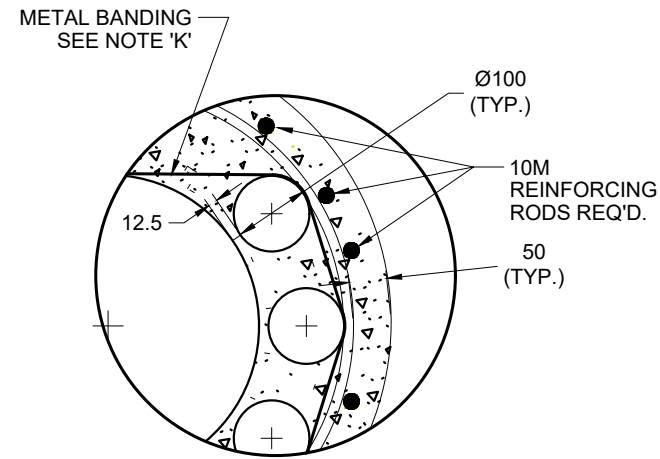


DETAIL 'B' - x 2.5



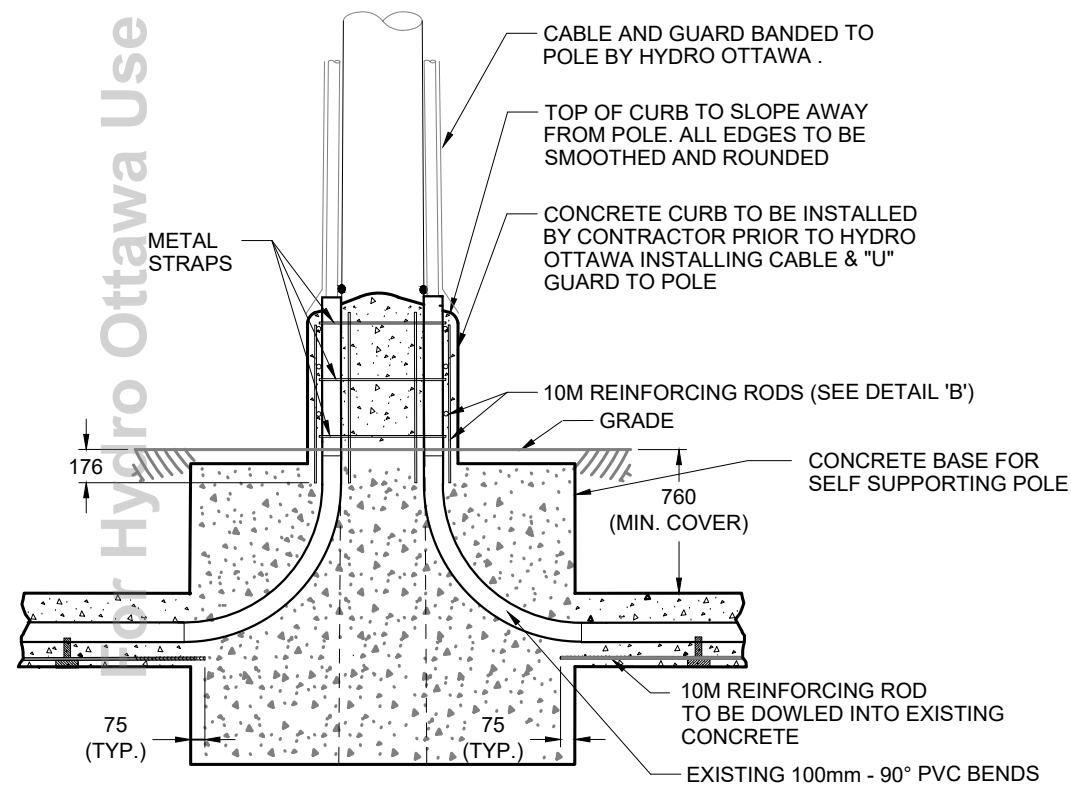
DETAIL 'D'

**NOTES:**

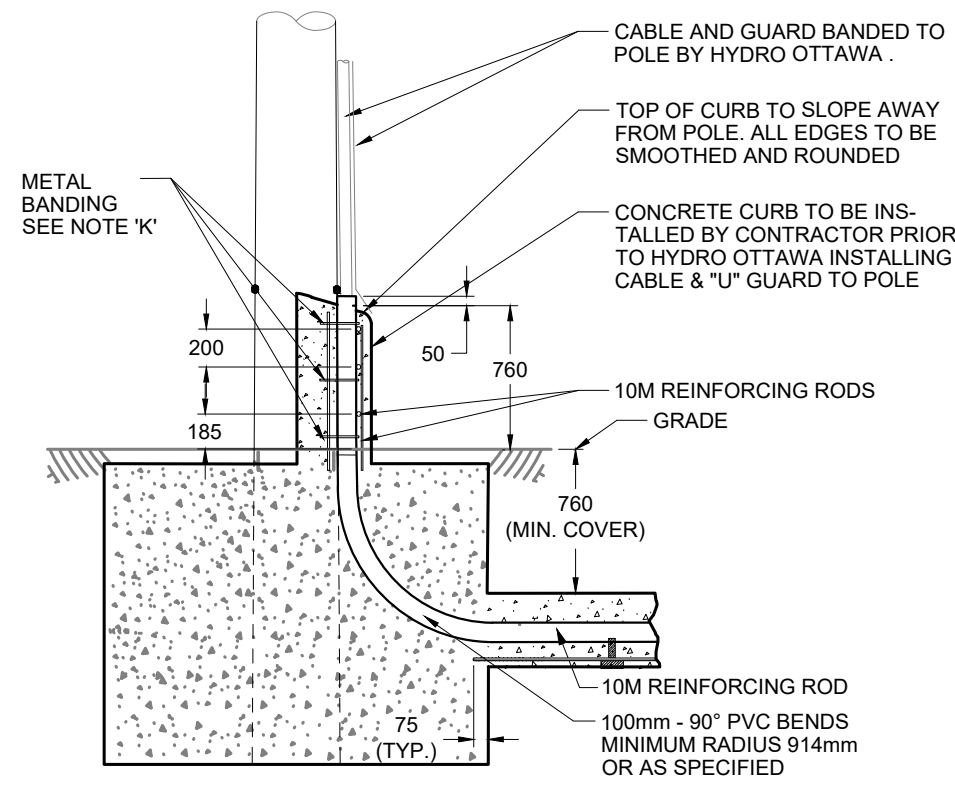
- A. CONCRETE - 20 MPa. SEE GCS0005 SECTION 7.0 FOR MATERIAL SPECIFICATIONS, CONCRETE TO BE VIBRATED.
- B. FOR A REBUILT POLE LATERAL, NEW CONCRETE TO BE DOWELED TO EXISTING CONCRETE.
- C. SPACE BETWEEN DUCTS MAY VARY DEPENDING ON SITE AND POLE CONDITIONS.
- D. EXACT LOCATION OF RISER ON POLE TO BE DETERMINED BY HYDRO OTTAWA IN THE FIELD.
- E. N.I.U. DUCTS TO BE CAPPED AND SECURED BY MECHANICAL MEANS.
- F. CONCRETE TO BE FORMED USING SONO TUBE AND STRIPPED ONCE CONCRETE IS CURED.
- G. DUCTS AND TRENCHES MUST BE INSPECTED BY HYDRO OTTAWA BEFORE ANY CONCRETE IS POURED.
- H. WHERE SPECIFIED, GROUND RODS TO BE INSTALLED AS PER OGS0001.
- J. ALL MEASUREMENTS IN MILLIMETERS UNLESS OTHERWISE INDICATED.
- K. DOUBLE POLE LATERAL - INSTALL DUCT, REINFORCING ROD AND BANDING PER DETAILS A, B AND D.

SINGLE POLE LATERAL - INSTALL DUCT, REINFORCING ROD AND BANDING PER DETAILS C AND D. SECURE BANDING TO THE POLE WITH 1/4" X 1" HEX HEAD TAPCON SCREWS.

BANDING TO BE 3/4" STAINLESS STEEL C206 TYPE 201 BAND-IT OR EQUIVALENT.



DETAIL 'A'  
DOUBLE POLE LATERAL WITH U-GUARD  
(CONCRETE ENCASED DUCTS)



DETAIL 'C'  
SINGLE POLE LATERAL WITH U-GUARD  
(CONCRETE ENCASED DUCTS)

REVISIONS		PREP	CHKD	APPD
REV:	DATE:	EV	SS/ MW	BDH
REV: 1	DATE: 2019-08-27			
CHANGE:	REVISD TITLE, ADJUSTED DUCT BANK COVER			
REV:	DATE:			
CHANGE:				
REV:	DATE:			
CHANGE:				

**HydroOttawa**  
WWW.HYDROOTTAWA.COM

PREP: G.M. / L.B.  
CHKD: C. MORAN  
APPD: C. MALONE P. Eng  
DATE: 2009-09-29  
SCALE: N.T.S. @ ANSI B

TITLE: ENGINEERING SPECIFICATION  
DUCT POLE LATERAL  
FOR SELF SUPPORTING  
CONCRETE POLE  
CONSTRUCTION DETAIL

NO: UDS0027

REV: 1 OF 1