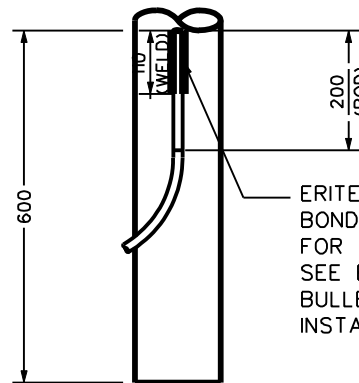


SECTION VIEW
SCALE - NTS



DETAIL A

NOTES

- A. PROTECTIVE BOLLARD PIPE DIMENSIONS:
 - FOR 1 Ø TRANSFORMERS
 HEIGHT 900mm, DIA 100mm.
 - FOR 3 Ø TRANSFORMERS/SWITCHES
 HEIGHT 1200mm, DIA. 150mm.
- B. ALL DIMENSIONS IN MILLIMETERS UNLESS OTHERWISE INDICATED.

For Hydro Ottawa Use Only Copyright 2010

6/2/2010 2:37:11 PM

REVISIONS	PREP	CHKD	APPD	TITLE						
REV: 1 DATE: 2007-08-01 CHANGE: NOTES LAYOUT DRAWING LAYOUT	CP	CP	CSM	ENGINEERING SPECIFICATION BOLLARDS PROTECTIVE CONSTRUCTION DETAIL						
REV: 2 DATE: 2008-05-13 CHANGE: REMOVED NOTES AND PLAN VIEW ADD WELD	GM	CP	CSM							
REV: 3 DATE: 2010-05-27 CHANGE: TITLE CHANGE	FB	RW	CSM							
 WWW.HYDRO-OTTAWA.COM				NO: UFS0001						
PREP: G. MOLNAR CHKD: C. PROULX APPD: C. MALONE P.Eng. DATE: 2002-03-08 SCALE: N.T.S. @ ANSIA										
				<table border="1"> <tr> <td>1</td> <td>REV:</td> </tr> <tr> <td>OF</td> <td></td> </tr> <tr> <td>1</td> <td>3</td> </tr> </table>	1	REV:	OF		1	3
1	REV:									
OF										
1	3									