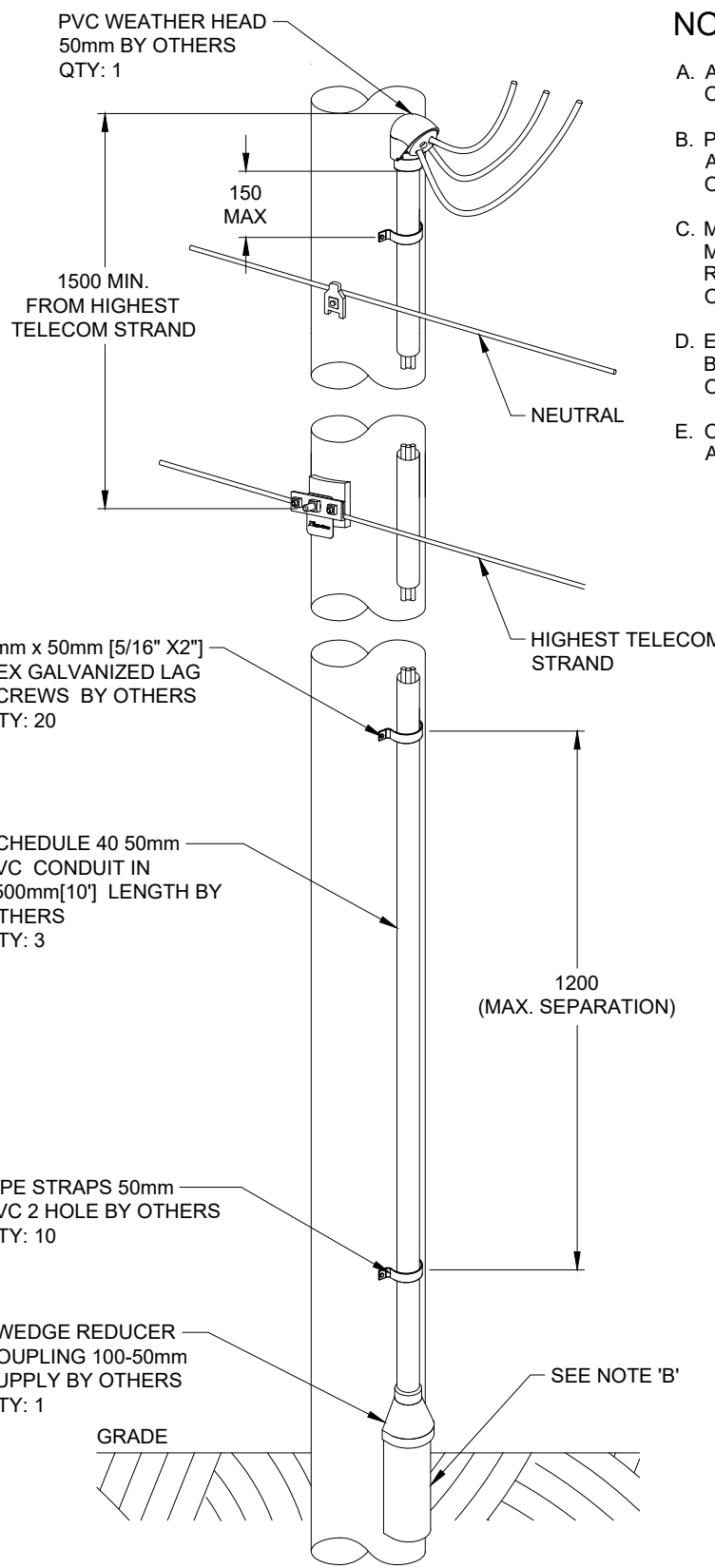



G:\4.2.3 TECH STD & MAT\01 STDS\01 HOL\U-UNDERGROUND\K-SECONDARY CABLE SYSTEMS\UKS0271 R0 SECONDARY POLE RISER ON HYDRO WOOD POLE.DWG



NOTES:

- A. ALL DIMENSIONS IN MILLIMETRES UNLESS OTHERWISE SPECIFIED.
- B. POLE LATERAL TO BE CONSTRUCTED AS PER UDS0023 FIG 1 OR 3. CONTACT HYDRO OTTAWA FOR DIRECTION.
- C. MATERIAL SPECIFICATIONS AND/OR QUANTITY MAY NEED ADJUSTMENT DEPENDING ON SERVICE RATING AND/OR POLE TYPE. CONTACT HYDRO OTTAWA FOR DIRECTION.
- D. ELECTRICAL CONDUIT AND AUXILIARIES SUPPLIED BY OTHERS WITH INSTALLATION BY HYDRO OTTAWA.
- E. OTHERS REFER TO THE CUSTOMER AND/OR HIS AGENT/CONTRACTOR.

For Hydro Ottawa Use Only Copyright 2020

REVISIONS		PREP	CHKD	APPD	TITLE	
REV: CHANGE:	DATE:				ENGINEERING SPECIFICATION SECONDARY POLE RISER ON HYDRO WOOD POLE CONSTRUCTION DETAIL	
REV: CHANGE:	DATE:					
REV: CHANGE:	DATE:					
 www.HYDROOTTAWA.COM					NO: UKS0271	
PREP: E. VEH CHKD: P. LEMAY APPD: M. WYNDHAM P. Eng						
DATE: 2020-12-07						
SCALE: N.T.S. @ ANSI A						
					1	REV:
					OF	0
					1	