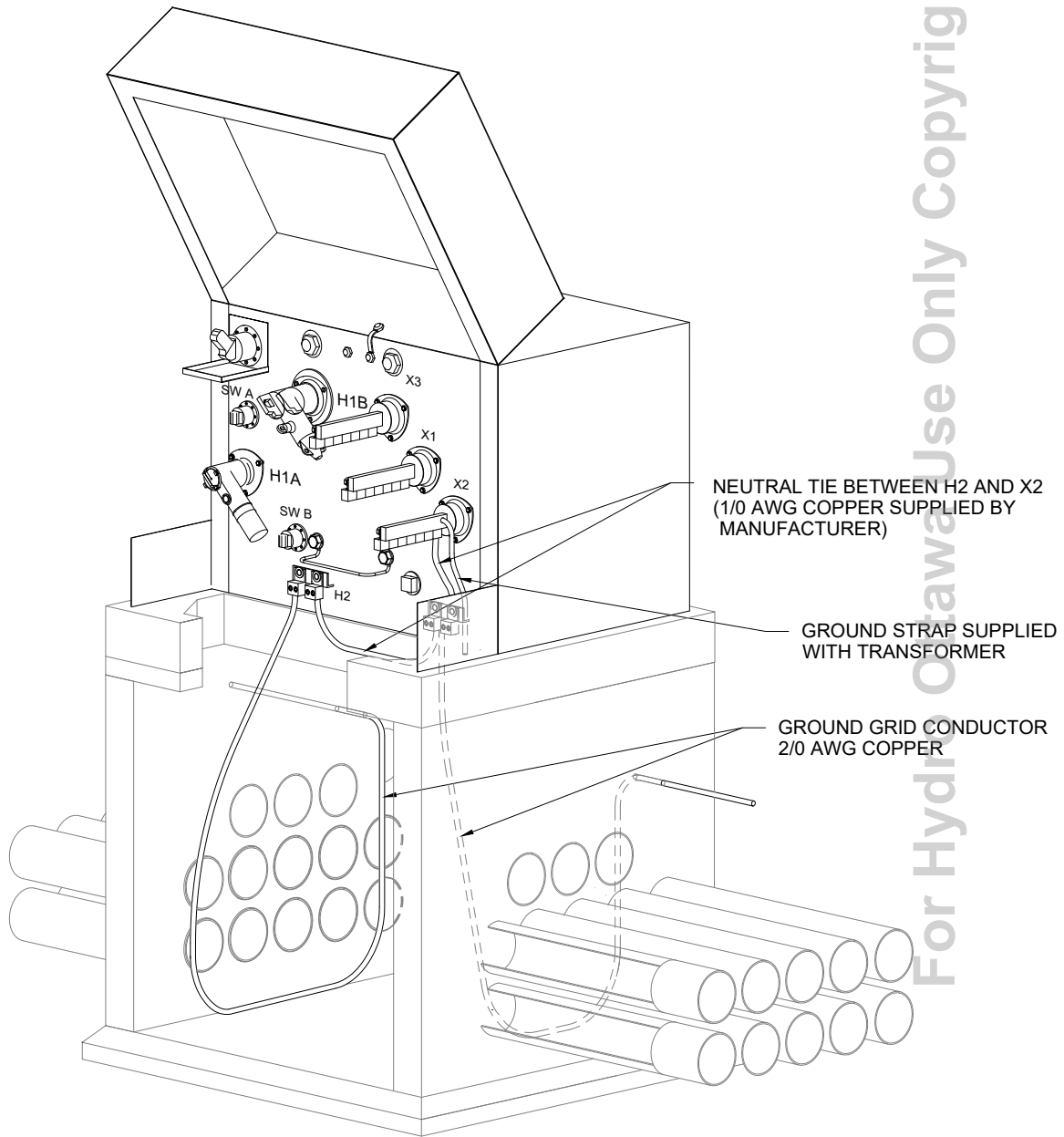


NOTES:

- A. FOR TRANSFORMER BASE GROUND GRID DETAIL SEE DRAWING UGS0002.
- B. ALL GROUND CONDUCTORS CONNECTED TO GROUND BUS VIA CONNECTOR LUGS AND SILICON BRONZE BOLTS. CONNECT TO SEPARATE GROUND BUS TERMINATION POINTS.
- C. GROUND CONDUCTORS SHALL BE APPROXIMATELY 3m IN LENGTH.
- D. ALL GROUND CONDUCTORS SHALL BE TRAINED TO ENSURE UNENCUMBERED OPERATION OF LOAD BREAK ELBOWS.
- E. CABLES SHALL BE TAGGED AND IDENTIFIED AS PER UTS0006.



For Hydro Ottawa Use Only Copyright 2020

G:1.4.2.3 TECH STD & MAT01 STDS01 HOLIU-UNDERGROUNDIT-TRANSFORMERUTS0008 R4 TRANSFORMER GROUNDING 1 PHASE PADMOUNT.DWG

| | | | | | | | | |
|---|---------------------------|---|---|--|----------------------------|--|---|---|
| <p>REVISIONS</p> <p>REV: 2 DATE: 2009-03-30 CHANGE: LOCATION OF GROUND CONDUCTOR</p> <p>REV: 3 DATE: 2010-05-27 CHANGE: TITLE CHANGE</p> <p>REV: 4 DATE: 2020-02-27 CHANGE: MODIFIED DUCT LAYOUT</p> | | | | <p>PREP CHKD APPD</p> <p>CP KM CSM</p> | <p>WWW.HYDROOTTAWA.COM</p> | <p>TITLE</p> <p>ENGINEERING SPECIFICATION</p> <p>TRANSFORMER GROUNDING</p> <p>1 PHASE PADMOUNT</p> <p>GROUNDING DETAIL</p> | | |
| <p>PREP: G. MOLNAR</p> <p>CHKD: C. MORAN</p> <p>APPD: C. MALONE P. Eng</p> <p>DATE: 2002-07-19</p> <p>SCALE: N.T.S. @ ANSI A</p> | <p>NO:</p> <p>UTS0008</p> | <table border="1"> <tr> <td>1</td> <td>REV:</td> </tr> <tr> <td>OF</td> <td>4</td> </tr> <tr> <td>1</td> <td></td> </tr> </table> | 1 | REV: | | OF | 4 | 1 |
| 1 | REV: | | | | | | | |
| OF | 4 | | | | | | | |
| 1 | | | | | | | | |